

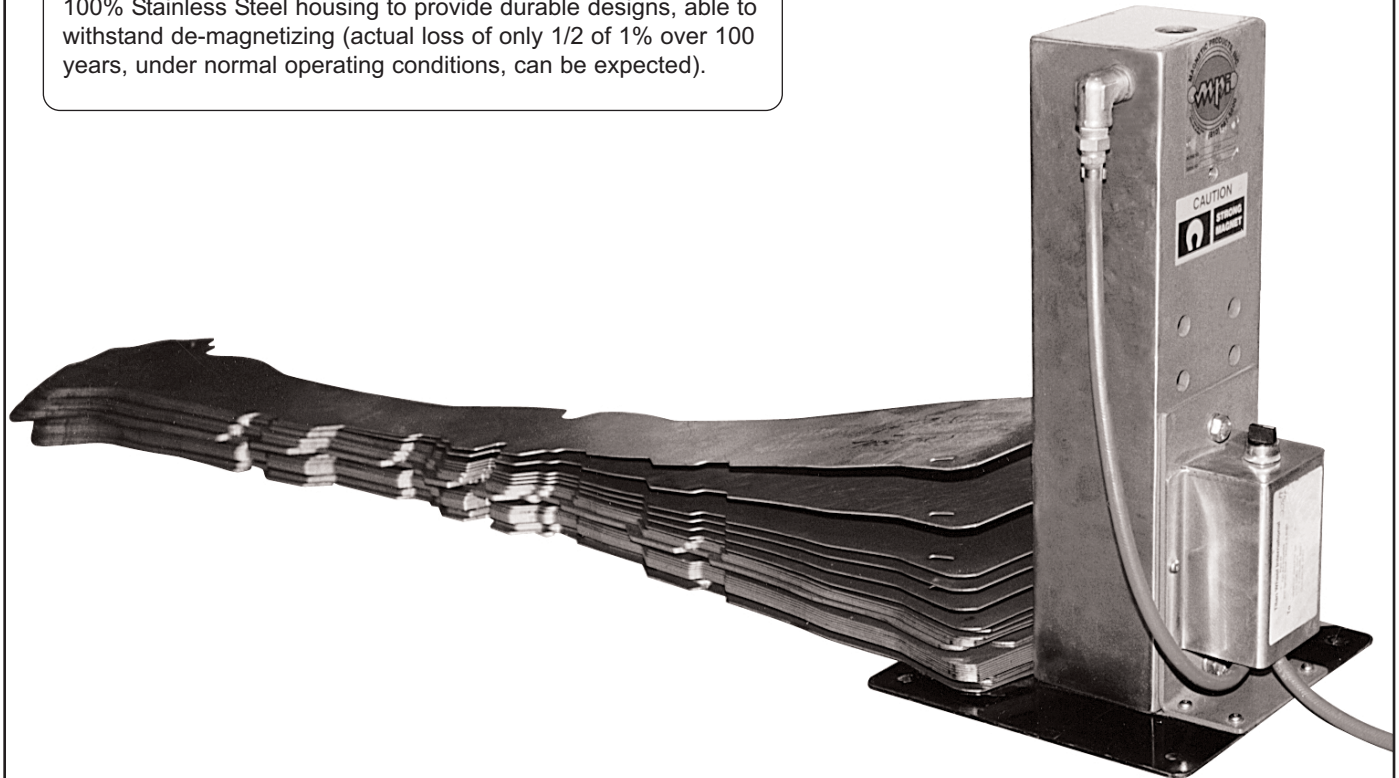


Adjustable Fanner Magnet

Series: AFM

CONSTRUCTION:

Powerful Ceramic Magnet Material is enclosed in an all welded 100% Stainless Steel housing to provide durable designs, able to withstand de-magnetizing (actual loss of only 1/2 of 1% over 100 years, under normal operating conditions, can be expected).



Model Shown
AFM-0618-REN

Application: MPI's ADJUSTABLE FANNER MAGNETS (AFM Series) meet the needs of demanding manufacturing environments. They are designed to improve productivity and employee safety in sheet handling operations. These magnets can also provide significant benefits in reducing costs by eliminating "doubles" when handling oily, sticky, or pre-finished sheet stock in an automated stamping, forming, or shearing operation.

Operation: MPI's AFM Series utilize the basic laws of magnetic "like poles" repelling characteristics in their use and operation. By inducing "like" magnetic fields into a stack of steel sheets or plates, repelling forces are created from sheet to sheet, forcing them to separate. When it becomes time to remove a sheet from the fanner, the applied air pressure into the magnet housing forces the magnet to retract away from the separated sheets, thus making it easier to remove a steel sheet from the magnet.

Got a question about Metal Control
or Material Handling Products...

Ask the
**Magnet
Man**



www.magnetmanusa.com

Magnetic Products, Inc.

Providing Magnetic Solutions for the
Material Handling Industry

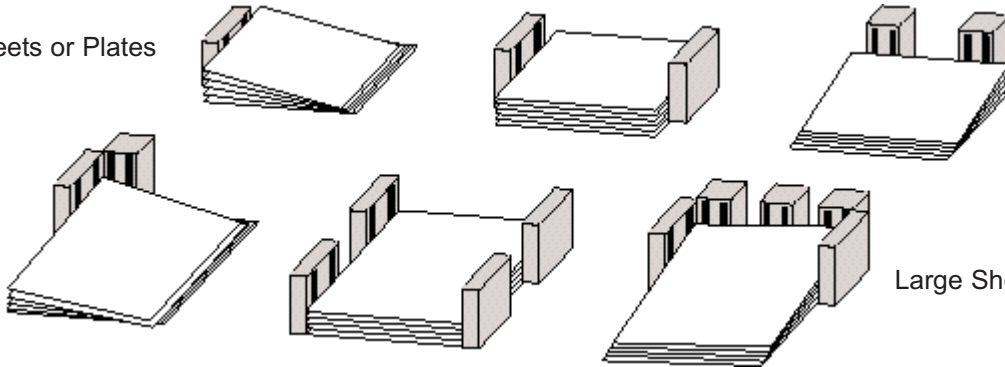
800-544-5930



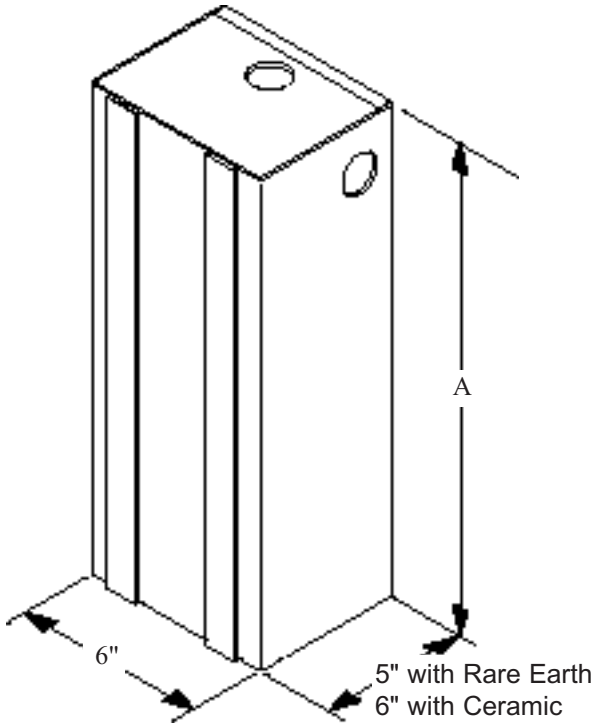
Providing Magnetic Solutions For the Material Handling Industry

TYPICAL SHEET SEPARATOR POSITIONS

Small Sheets or Plates



Large Sheets or Plates



AFM-SERIES SELECTION CHART

| MODEL NUMBER | HEIGHT DIM. "A" | |
|--------------|-----------------|-----|
| | IN. | MM |
| AFM-0612-REN | 12 | 304 |
| AFM-0614-REN | 14 | 355 |
| AFM-0616-REN | 16 | 405 |
| AFM-0618-REN | 18 | 457 |
| AFM-0620-REN | 20 | 507 |
| AFM-0622-REN | 22 | 557 |
| AFM-0624-REN | 24 | 609 |

Specifications subject to change.

Standard Features:

- Rugged all-welded construction
- Powerful Ceramic 8 magnet material
- 100% Stainless Steel construction
- Minimum 75psi required for optimal performance
- Top & side air inlet locations

Optional Features:

- Powerful Rare Earth magnet material
- Removable wear strips
- Special mounting brackets
- Custom sizes
- Drilled and tapped back plate mounting holes

-Custom Sizes & Configurations Available-

For more information, please contact your local sales representative or our customer service representatives at 1-800-544-5930 or info@mpimagnet.com.

Magnetic Products Inc.

P.O. Box 529 • 683 Town Center Dr. • Highland, MI • 48357

TOLL FREE: 800-544-5930 • 248-887-5600

FAX: 248-887-6100

EMAIL: info@mpimagnet.com

www.mpimagnet.com

DISTRIBUTED BY: