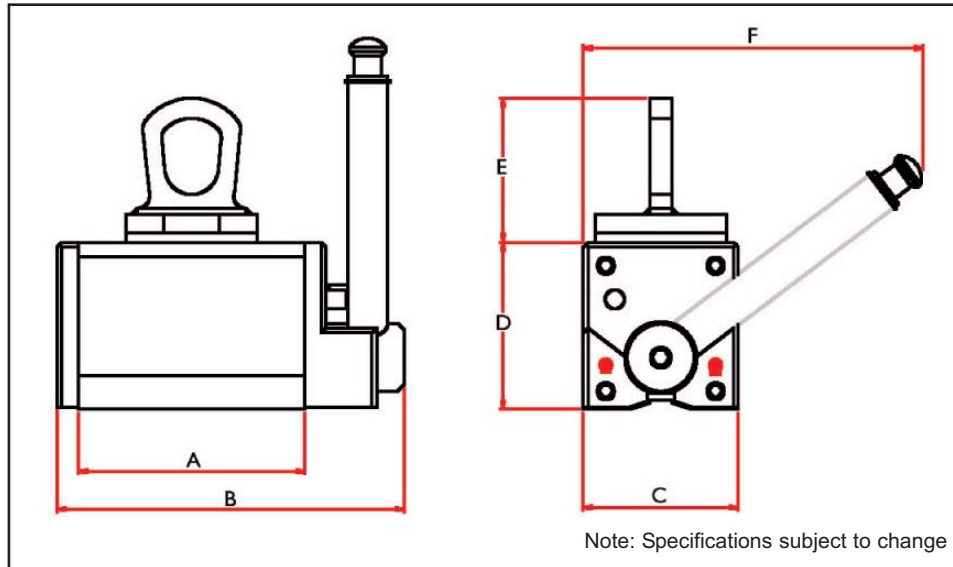




Providing Magnetic Solutions For the Material Handling Industry



Model No	Weight (kg)	Dimensions (mm)						Flat Section			Round Section	
								SWL	Thickness	Length	SWL	Diameter
		kg	Min (mm)	Max (mm)	kg	Max (mm)						
LM-0550-REN	4	101	155	69	74	64	152	125	20	1500	50	200
LM-1100-REN	11	155	214	92	96	94	218	250	25	1500	100	300
LM-2200-REN	27	224	300	122	128	123	266	500	30	1500	200	400
LM-3300-REN	63	260	359	176	174	140	391	1000	45	1500	400	450
LM-4400-REN	157	368	477	233	227	195	493	2000	55	2000	800	600

Model No	Weight (lb)	Dimensions (inches)						Flat Section			Round Section	
								SWL	Thickness	Length	SWL	Diameter
		lbs	Min(inches)	Max(inches)	lbs.	Max (inches)						
LM-0550-REN	9	4	6.1	2.7	2.9	2.5	6	275	0.79	60	110	8
LM-1100-REN	24	6.1	8.4	3.6	3.8	3.7	8.6	550	1	60	220	12
LM-2200-REN	59	8.8	11.80	4.8	5	4.8	10.5	1100	1.18	60	440	16
LM-3300-REN	139	10.2	14.1	6.9	6.9	5.5	15.4	2200	1.57	60	880	18
LM-4400-REN	345	14.5	18.8	9.2	8.9	7.7	19.4	4400	2.17	80	1760	24

-Custom Sizes & Configurations Available-

For more information, please contact your local sales representative or our customer service representatives at 1-800-544-5930 or info@mpimagnet.com.

Magnetic Products Inc.

P.O. Box 529 • 683 Town Center Dr. • Highland, MI • 48357

TOLL FREE: 800-544-5930 • 248-887-5600

FAX: 248-887-6100

EMAIL: info@mpimagnet.com

www.mpimagnet.com

DISTRIBUTED BY: