

Electromagnetic Sheet Separator

Series: SSEM



Model Shown
SSEM-1015

POWER SUPPLIES

MPI offers a complete line of power supplies to meet your requirements. MPI's power supply can accept 155 VAC or 230 VAC input and can be ordered with an optional Variable Voltage Speed Control and/or Reverse Circuit for quick part release.

Application: MPI's ELECTROMAGNETIC SHEET SEPARATORS (SSEM Series) meet the needs of demanding manufacturing environments. They are designed to improve productivity and employee safety in sheet handling operations. These magnets can also provide significant benefits in reducing costs by eliminating "doubles" when handling oily, sticky, or pre-finished sheet stock in an automated stamping, forming, or shearing operations.

Operation: SSEM - Series Separators utilize the basic laws of magnetic "like poles" repelling characteristics in their use and operation. By inducing "like" magnetic fields into a stack of steel sheets or plates, repelling forces are created from sheet to sheet, forcing them to separate. Advantages of the SSEM Series Separators are that they allow the operator to turn "off" the power for cleaning of "chips" or to remove flipped sheets of stock and also with the power turned "off" it allows for a safer, quick set-up. Multiple Electromagnetic Separators can be operated from a single power supply.

Got a question about Metal Control
or Material Handling Products...

Ask the
**Magnet
Man**



www.magnetmanusa.com

Magnetic Products, Inc.

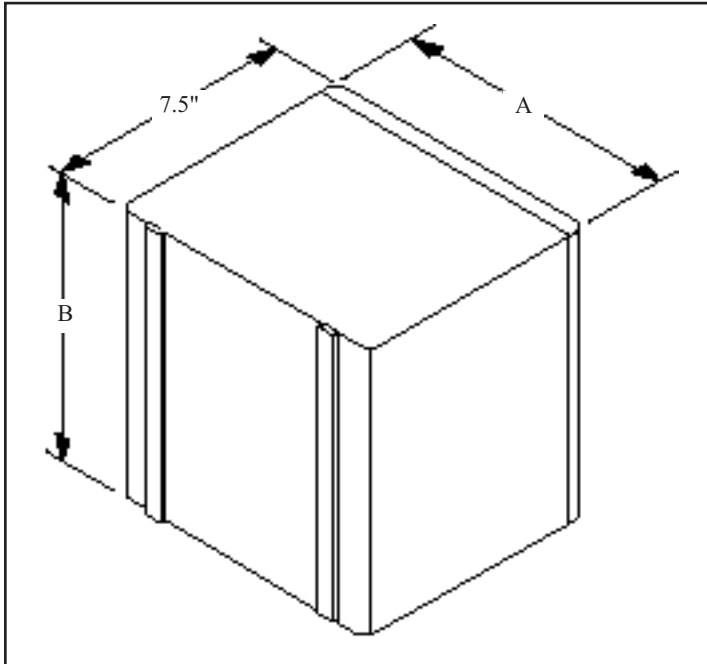
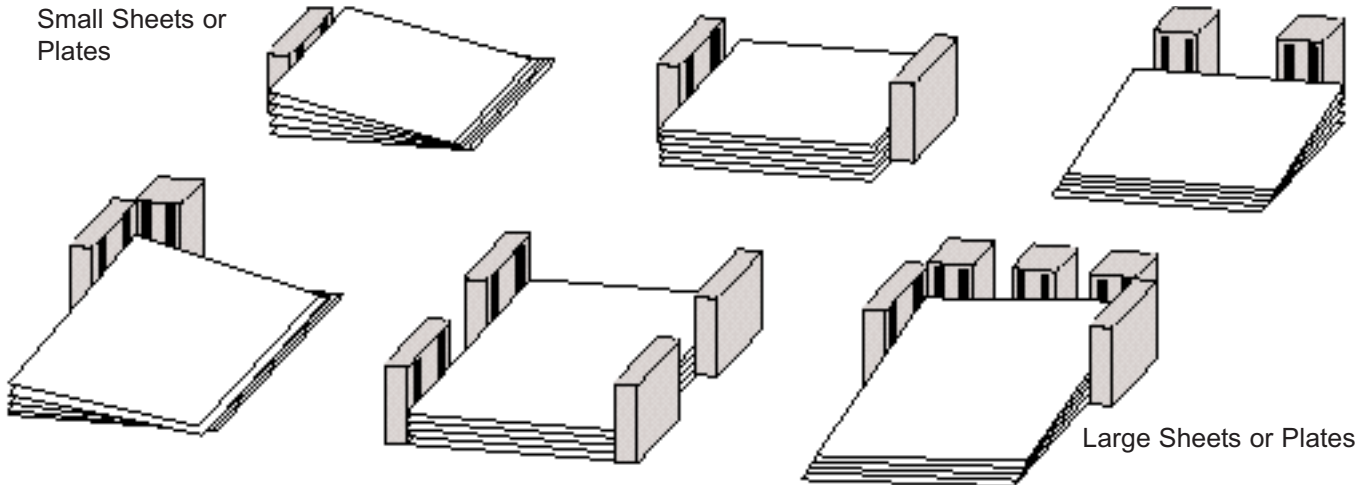
Providing Magnetic Solutions for the
Material Handling Industry

800-544-5930



Providing Magnetic Solutions For the Material Handling Industry

TYPICAL SHEET SEPARATOR POSITIONS



SSEM - 900 SERIES SELECTION GUIDE

MODEL NUMBER	WIDTH "A"		HEIGHT "B"	
	IN.	MM	IN.	MM
SSEM-909	9	229	9	229
SSEM-914	9	229	14	356
SSEM-918	9	229	18	457

SSEM-1000 SERIES SELECTION GUIDE

SSEM-1010	10	254	10	254
SSEM-1015	10	254	15	381
SSEM-1020	10	254	20	508

SSEM-1300 SELECTION GUIDE

SSEM-1310	13	330	10	254
SSEM-1320	13	330	20	508
SSEM-1325	13	330	25	635

Specifications subject to change.

Standard Features:

- Rugged all-welded construction
- Copper wound coils
- 100% Stainless Steel construction
- Normal operating temperature of 176°F / 80°C
- Temperature range up to 265°F / 130°C
- Voltage 24VDC

Optional Features:

- Drilled and tapped back plate mounting holes
- Removable wear strips
- Custom sizes and cord locations
- VARIAC for power variance from 0-100%
- 120/240 VAC Rectified Sheet Separator (Does not require a power supply)

-Custom Sizes & Configurations Available-

For more information, please contact your local sales representative or our customer service representatives at 1-800-544-5930 or info@mpimagnet.com.

Magnetic Products Inc.

P.O. Box 529 • 683 Town Center Dr. • Highland, MI • 48357

TOLL FREE: 800-544-5930 • 248-887-5600

FAX: 248-887-6100

EMAIL: info@mpimagnet.com

www.mpimagnet.com

DISTRIBUTED BY: