



# Abrasion Resistant Plate Magnet

Series: ARPM

Magnet Series: 200 thru 600

SANITARY, HEAVY DUTY HINGE

REMOVABLE STAINLESS STEEL WEAR PLATE

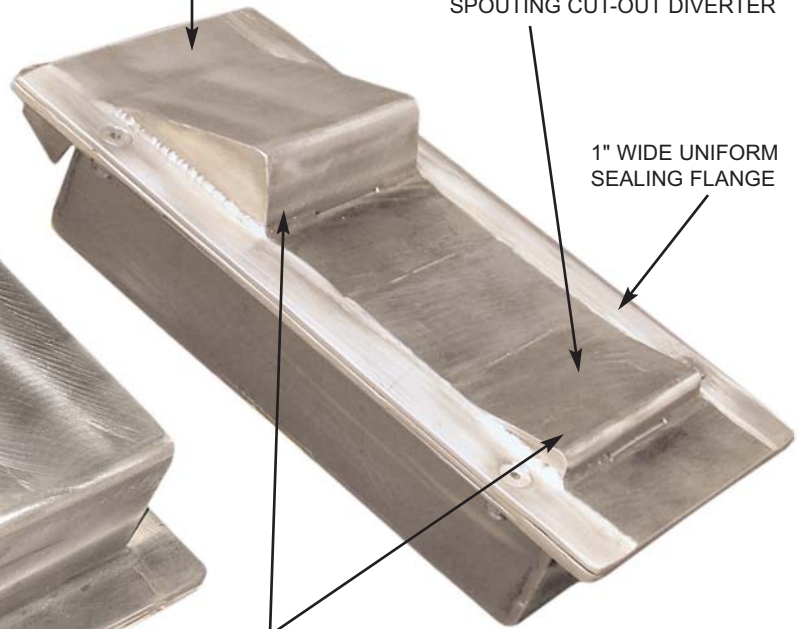
Model Shown  
ARPM-400 Series

SPOUTING CUT-OUT DIVERTER

1" WIDE UNIFORM SEALING FLANGE



100% STAINLESS STEEL ENCLOSED DESIGN



MPI EXCLUSIVE "BI-METAL" FACE WITH 400 SERIES STAINLESS STEEL POLES AREAS

**Application:** MPI's ABRASION RESISTANT PLATE MAGNETS (ARPM Series) are designed for use in gravity-fed angled chutes which convey high volume, abrasive product streams such as grain or mineral products. ARPM-series Plate magnets provide maximum ferrous tramp iron retention in chute applications where tramp iron "wash-off" can occur.

**Operation:** The stainless steel removable wear plate is designed to divert the product stream away from the magnet's surface, while allowing tramp metal to be

collected behind the tramp metal collection step. The wear plate is manufactured with 400 series stainless steel pole areas to maximize the holding power of the magnet. The product stream is deflected away from the magnet's surface again as it approaches the downstream end of the magnetic field. Doing this enables the product to transfer from the plate magnet's surface to the spouting surface without impacting in the spouts cut-out areas, thereby minimizing product damage. When necessary the removable wear plate can be easily replaced during regular maintenance of the magnet.

Got a question about Metal Control or Material Handling Products...

Ask the  
**Magnet Man**



[www.magnetmanusa.com](http://www.magnetmanusa.com)

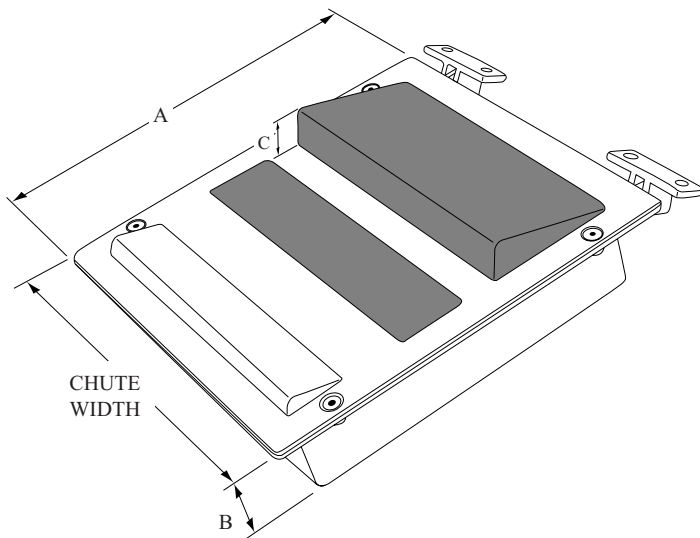
## Magnetic Products, Inc.

Providing Magnetic Solutions for the  
Material Handling Industry

800-544-5930

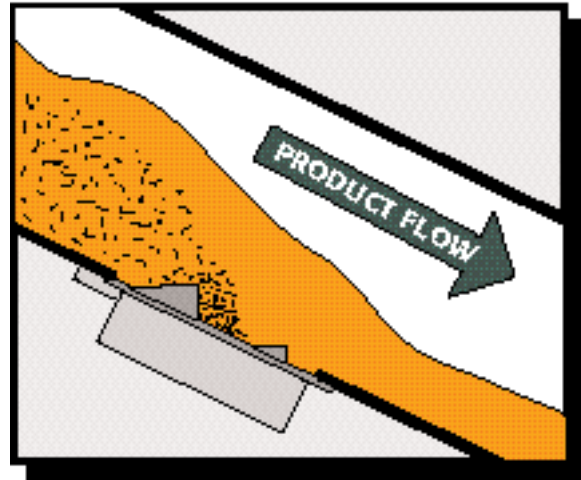


# Providing Magnetic Solutions For the Material Handling Industry



Note: Specifications subject to change

TYPICAL APPLICATION



MOUNTED TO BOTTOM OF  
ANGLED CHUTE

## ARPM - SERIES SELECTION GUIDE

ARPM MODEL NUMBER	LENGTH "A"		THICKNESS "B"		STEP HEIGHT "C"		EFFECTIVE MAG- NETIC FIELD DEPTH		APPROX. UNIT'S WEIGHT	
	IN.	MM	IN.	MM	IN.	MM	IN.	MM	LBS.	KG
200 SERIES	8.5	216	1.500	38	.75	19	2	51	23	10
300 SERIES	10.5	267	2.125	54	1.00	25	3	76	45	20
400 SERIES	12.5	316	2.750	70	1.25	32	5	127	66	30
500 SERIES	15.5	394	4.250	108	1.50	38	8	203	102	46
600 SERIES	18.5	470	6.750	171	1.68	42	10	254	165	75

### ARPM MODEL NUMBER EXAMPLE

For an Abrasion Resistant Plate Magnet, with a 500 Series magnet and a width of 16" you would order model number: ARPM-516

#### Standard Features:

- Removable stainless steel wear plate contour—deflects product stream to retain tramp metal and minimizes product damage.
- Permanent Ceramic magnet – will not de-magnetize.
- 100% Stainless Steel enclosed design.
- Stainless Steel Heavy-Duty hinges and latches with mounting hardware.
- Maximum magnetic separation circuit.
- 1" wide uniform sealing flange to prevent product leakage

## Magnetic Products Inc.

P.O. Box 529 • 683 Town Center Dr. • Highland, MI • 48357

TOLL FREE: 800-544-5930 • 248-887-5600

FAX: 248-887-6100

PRODUCT BULLETIN GROUP: 102  
SERIES: ARPM, REV. 05/05  
© COPYRIGHT 1995 MPI

EMAIL: [info@mpimagnet.com](mailto:info@mpimagnet.com)  
[www.mpimagnet.com](http://www.mpimagnet.com)

DISTRIBUTED BY:

