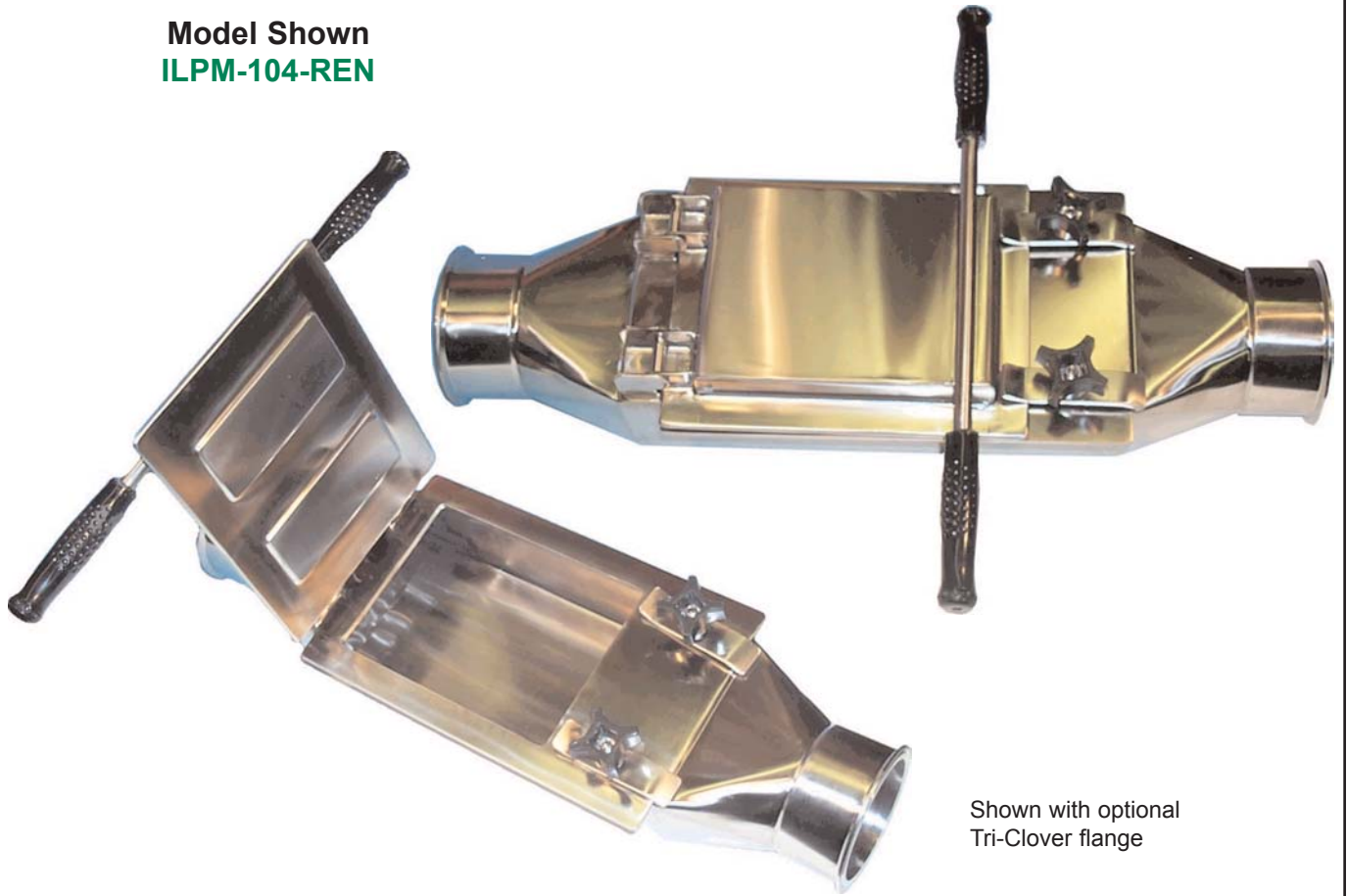




Inline Plate Magnet

Series: *ILPM*

Model Shown
ILPM-104-REN



Shown with optional
Tri-Clover flange

Application: MPI's INLINE PLATE MAGNETS (ILPM Series) are designed for use in gravity-fed chutes and pneumatic conveying systems, which convey low to medium volume product streams. Typical installations include where the product flows over the magnet face, providing optimal removal of ferrous tramp metal in a variety of gravity chute applications.

Operation: The magnetic pole face consists of (2) 400 grade, stainless steel magnetic poles for maximum holding value. ILPM series plate magnets are easy to install and the magnet's hinged mount design permits quick, easy cleaning of the magnet's surface. The strong magnetic field is effective in product streams up to 8" deep.

Got a question about Metal Control
or Material Handling Products...

Ask the
**Magnet
Man**

www.magnetmanusa.com



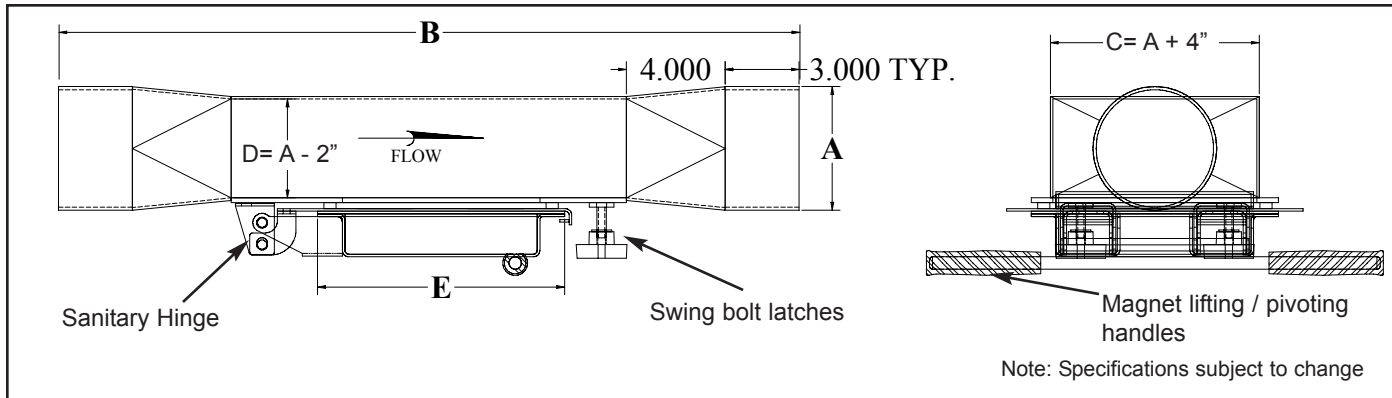
Magnetic Products, Inc.

Providing Magnetic Solutions for the
Material Handling Industry

800-544-5930



Providing Magnetic Solutions For the Material Handling Industry



ILPM SERIES SELECTION CHART

ILPM Series	A Diameter												B Length	
	IN						MM						IN	MM
ILPM-100 Series	4	5	6	8	10	12	101	127	152	203	254	305	28.5	724
ILPM-200 Series	4	5	6	8	10	12	101	127	152	203	254	305	28.5	724
ILPM-300 Series	4	5	6	8	10	12	101	127	152	203	254	305	30.5	775
ILPM-400 Series	4	5	6	8	10	12	101	127	152	203	254	305	32.5	825
ILPM-500 Series	4	5	6	8	10	12	101	127	152	203	254	305	35.5	902
ILPM-600 Series	4	5	6	8	10	12	101	127	152	203	254	305	35.5	902

All diameters in green are MPI recommended. The diameters in yellow are not typically recommended though they may fit special needs.

Standard Features:

- Rugged all welded construction
- Permanent Ceramic 8 Magnet Material
- 304 Stainless Steel Construction
- Sanitary Hinges & Latches
- 1" uniform magnet sealing flanges
- Closed cell food grade gasket material

Options:

- Powerful Rare Earth Magnet Material
- Single & Double step Magnet Face
- Replaceable Abrasive Resistant Face Plates
- Hinge Mounted "Quick Clean" Magnet Face
- Self Clean units with two pneumatic cylinders
- Food grade finishes

-Custom Sizes & Configurations Available-

For more information, please contact your local sales representative or our customer service representatives at 1-800-544-5930 or info@mpimagnet.com.

Magnetic Products Inc.

P.O. Box 529 • 683 Town Center Dr. • Highland, MI • 48357

TOLL FREE: 800-544-5930 • 248-887-5600

FAX: 248-887-6100

EMAIL: info@mpimagnet.com

www.mpimagnet.com

DISTRIBUTED BY: