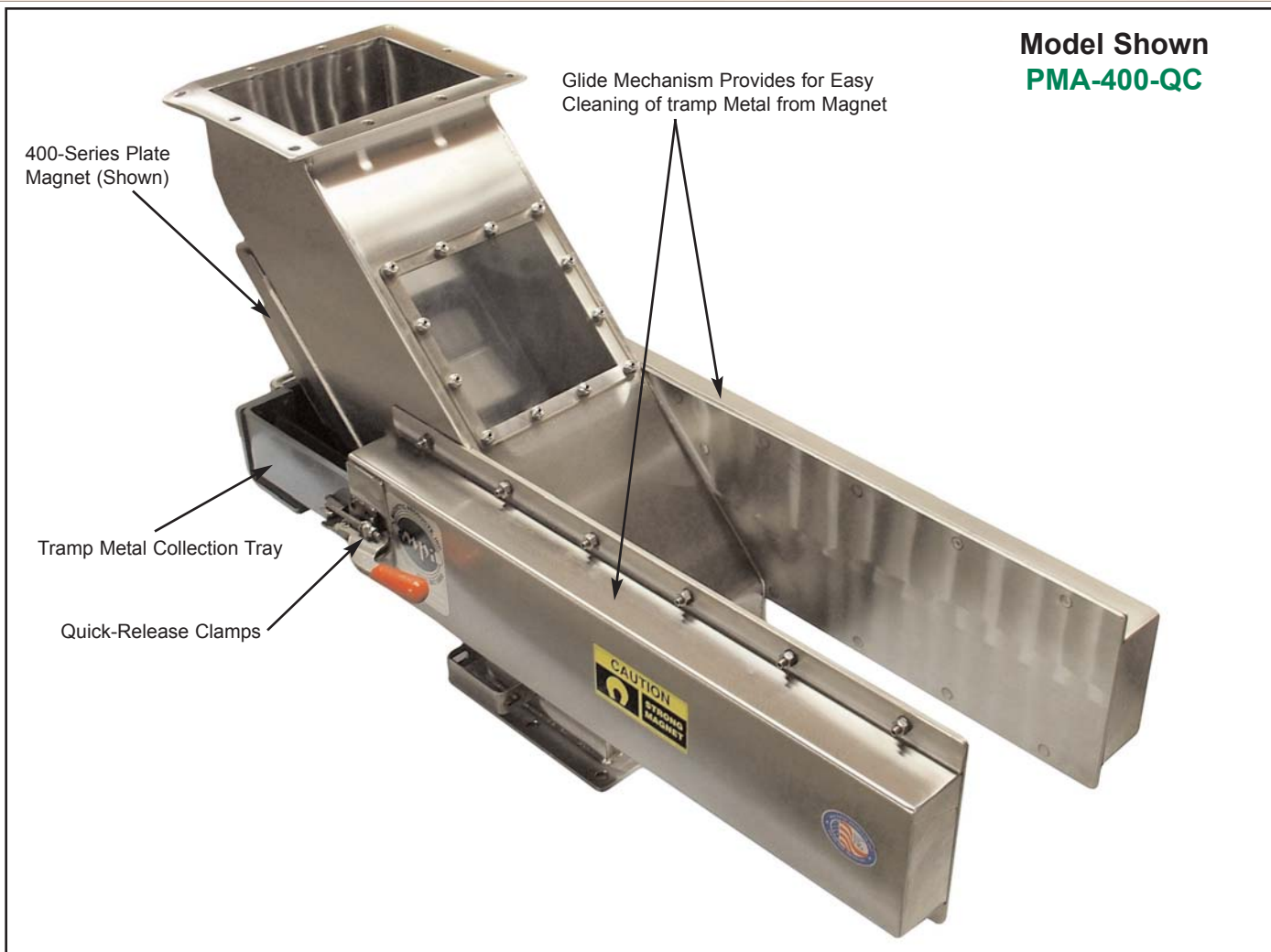




Plate Magnet Adapter

Series: PMA



Model Shown
PMA-400-QC

Application: MPI's PLATE MAGNET ADAPTERS (PMA Series) are designed for use in gravity-fed angled chutes, which convey low to high volumes of product. Typical installations are below-the-flow, where the product flows over the magnetic face providing optimum ferrous tramp metal retention in a wide variety of chute applications.

Operation: MPI's exclusive roller cleaning system provides easy operation and requires no heavy lifting or handling during the cleaning cycle. Simply, terminate the product flow and release the (2) clamps that secure the magnet to the housing and pull the magnet away from the chute, letting the collected tramp metal fall from the stripper plate. After cleaning, push the magnet back into operating position and secure in place with the (2) clamps, then resume your product flow.

Got a question about Metal Control
or Material Handling Products...

Ask the
**Magnet
Man**



www.magnetmanusa.com

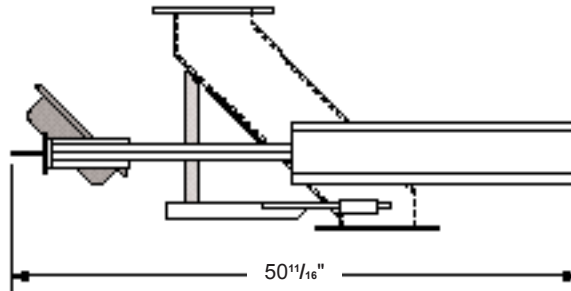
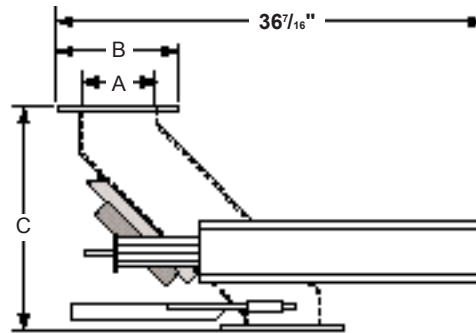
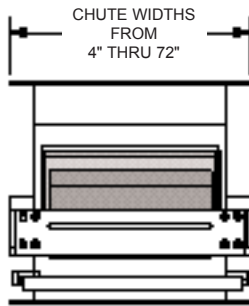
Magnetic Products, Inc.

Providing Magnetic Solutions for the
Material Handling Industry

800-544-5930



Providing Magnetic Solutions For the Material Handling Industry



Note: Specifications subject to change

PMA-SERIES SELECTION GUIDE

| Plate Magnet Adapter Models | Plate Magnet Series | Chute's Opening Length "A" | | Chute's Flange Length "B" | | Approx. Overall Height "C" | | Effective Magnetic Field Depth | | Approx. Unit's Weight | |
|-----------------------------|---------------------|----------------------------|-----|---------------------------|-----|----------------------------|-----|--------------------------------|-----|-----------------------|-----|
| | | IN. | MM | IN. | MM | IN. | MM | IN. | MM | LBS | KG |
| PMA-300-QC | 300 | 3 | 76 | 7.25 | 184 | 18 | 466 | 3 | 76 | 118 | 54 |
| PMA-400-QC | 400 | 5 | 127 | 9.25 | 235 | 24 | 482 | 5 | 127 | 138 | 63 |
| PMA-500-QC | 500 | 8 | 203 | 12.25 | 311 | 26 | 546 | 8 | 203 | 173 | 78 |
| PMA-600-QC | 600 | 10 | 254 | 14.25 | 362 | 29 | 609 | 10 | 279 | 243 | 110 |

Standard Features:

- Permanent Ceramic 8 magnet material
- 100% stainless steel housing
- Operating temperatures of 450° F
- Pre-drilled matching companion flanges for easy installation
- 1" wide sealing flange around magnet along with heavy-duty clamps and gasket prevent product leakage

- Magnet roller glide mechanism provides easy operation and requires *no* heavy lifting or handling during cleaning cycle

Optional Features:

- Powerful Rare Earth magnet material
- Lexan inspection windows
- Self-Cleaning designs
- Custom designs available
- Double hump styles

-Custom Sizes & Configurations Available-

For more information, please contact your local sales representative or our customer service representatives at 1-800-544-5930 or info@mpimagnet.com.

Magnetic Products Inc.

P.O. Box 529 • 683 Town Center Dr. • Highland, MI • 48357

TOLL FREE: 800-544-5930 • 248-887-5600

FAX: 248-887-6100

EMAIL: info@mpimagnet.com

www.mpimagnet.com

DISTRIBUTED BY: