

1

### Magnetic Tubes:

- MPI round spout drawer magnets feature two tiers of high intensity rare earth magnetic tubes that ensure the highest levels of magnetic filtration through direct product contact on the tubes, removing ferrous tramp metal from the product stream. Single tier designs are available for equipment protection applications
- Tubes are bolted on or welded onto drawer front

2

### Easy Installation:

- Designed to fit compactly into existing piping, the RSDM has 4 different mounting options for easy installation

3

### Internal Drawer Supports:

- Internal drawer supports support the tubes during production so they are not cantilevered into the product flow, preventing premature wear

4

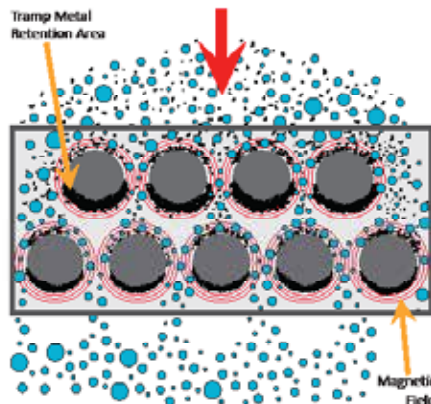
### Magnet Element Support:

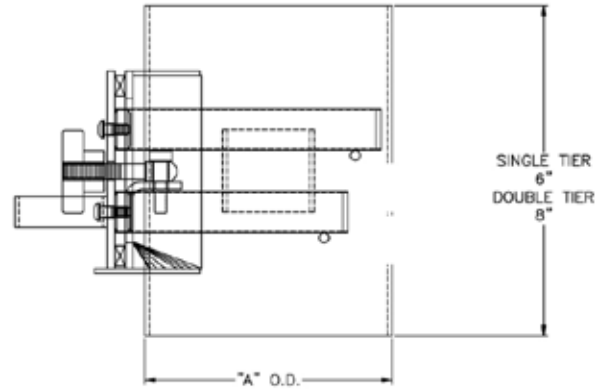
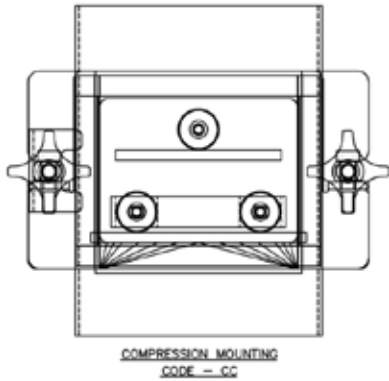
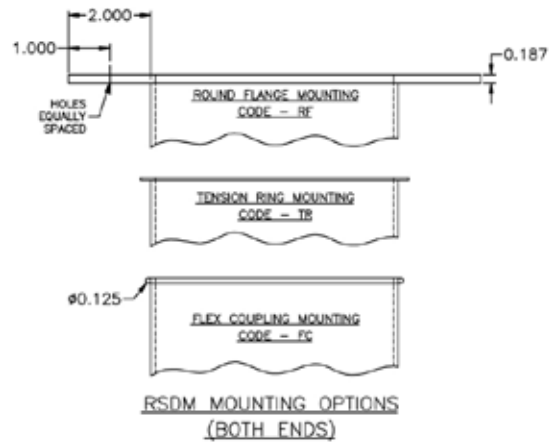
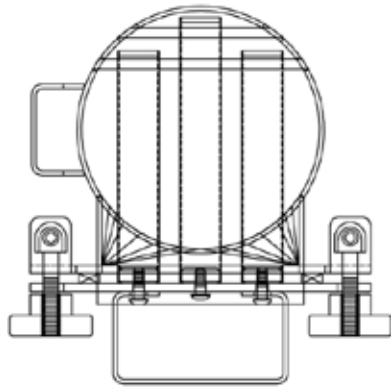
- For easy reinstallation of magnet element into line after cleaning, the support ledge provides proper alignment before refastening swing bolt latches

5

### Sani-TIGHT Seal™ Gasket:

- Type: Compression style "O-ring" cord gasket
- Sealing plate: 1/2" thick machined stainless plate
- 100% Positive seal, cannot be over-compressed
- Sanitary: Gasket can be removed and replaced for wash-down, no adhesive required





## RSDM Selection Guide

Model Number	Product Flow Area		Number of Tubes	O.D. "A"	
	IN <sup>2</sup>	CM <sup>2</sup>		IN	CM
<b>Single Tier</b>					
RSDM-04-REN	12.56	32	1	4	10
RSDM-05-REN	19.63	50	2	5	13
RSDM-06-REN	28.27	72	2	6	15
RSDM-07-REN	38.48	98	3	7	18
RSDM-08-REN	50.26	128	3	8	20
RSDM-10-REN	78.5	199	4	10	25
RSDM-12-REN	114.0	290	5	12	30
<b>Double Tier</b>					
RSDM2-04-REN	12.56	32	2	4	10
RSDM2-05-REN	19.63	50	3	5	13
RSDM2-06-REN	28.27	72	3	6	15
RSDM2-07-REN	38.48	98	5	7	18
RSDM2-08-REN	50.26	128	5	8	20
RSDM2-10-REN	78.5	199	7	10	25
RSDM2-12-REN	114.0	290	9	12	30

\*Specifications subject to change

### Number of Tiers of Tubes:

- 100 Series with 1 tier of tubes
- 200 Series with 2 tiers of tubes (standard)

### Material Construction:

- 304 Stainless Steel (standard)
- 316 Stainless Steel

### Magnetic Tubes [reference datasheet MT]:

- Ceramic
- REN Rare Earth (standard)
- Hi-G high performance Rare Earth
- TW Thin Wall high performance Rare Earth

### Magnetic Material Temperature:

- 400° @ 3.5 MGO (ceramic)
- 176° F @ 52+ MGOe (rare earth) (standard)
- 248° @ 48 MGO (rare earth)
- 356° @ 38 MGO (rare earth)
- 662° @ 30 MGO (rare earth)

### Tube Coatings:

- Stainless steel with no coating (standard)
- Synergistic Coating [reference datasheet Synergistic Coating]

### Gasket Material:

- White silicon, FDA approved (standard)
- Buna, FDA approved
- Metal detectable blue silicon, FDA approved

### Tube Installation:

- Bolt to drawer front (standard)
- Welded to drawer front

### Inlet and Outlet Mounting Type:

- 1/8" diameter sock bead (standard)
- 2" compression mounting
- Round flange with MPI standard bolt hole pattern
- Tension ring (equivalent to Jacobs or Buhler integral flange)

**Position Switch:** For unit closed confirmation or safety interlock

- Not included (standard)
- Proximity switch for unit closed confirmation (MPI Standard model and mount)
- Mechanical safety switch for unit closed confirmation and safety (MPI standard model and mount)
- Switch mounting bracket only (customer supplied switch)
- Customer specified model