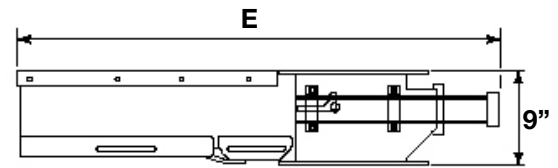
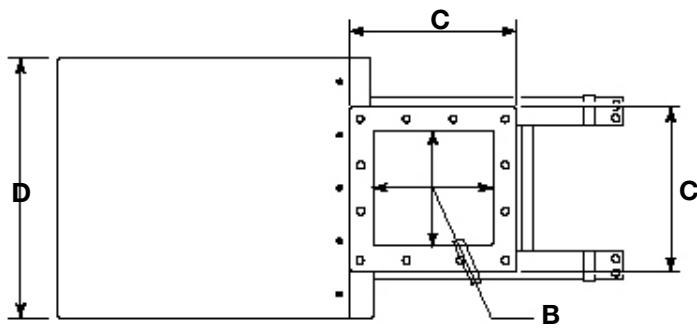


- 1 Magnetic Tubes:**
 - MPI drawer magnets feature two tiers of high intensity rare earth magnetic tubes that ensure the highest levels of magnetic filtration through direct product contact on the tubes, removing ferrous tramp metal from the product stream
- 2 Cleaning Cycle:**
 - Start: After manually or electrically actuating the solenoid, the cylinders retract, pulling the magnetic tubes through the stripper assembly to deposit the collected tramp iron outside of the product flow area
 - Finish: The cylinders return to the run position, pushing the magnetic tubes back through the stripper assembly into the housing (working position)
- 3 Floating Stripper Seal:**
 - Adjusts to tube resulting in even wear and longer life between replacements
 - Held in place by machined and fastened laminated stripper plate assembly
- 4 Stripper Latch:**
 - Releases stripper plate assembly once the plate has been clearly pulled away from the sealing plate
 - Prevents accidental cleaning of the tubes in the product flow area, commonly caused when the stripper assembly is stuck to the sealing plate
- 5 Sani-TIGHT Seal™ Gasket:**
 - Type: Compression style "O-ring" cord gasket
 - Sealing plate: ½" thick machined stainless plate
 - 100% Positive seal, cannot be over-compressed
 - Sanitary: Gasket can be removed and replaced for wash-down, no adhesive required
- 6 Rear Access Panel:**
 - For easy inspection and maintenance
- 7 Bolt-On Stainless Steel Safety Cage:**
 - Removeable cover for magnet maintenance and testing
 - Multiple options for tramp metal recovery
- 8 Grounding Strap:**
 - Provides a discharge path for static buildup
- 9 Continuous Automated Self-Cleaning Model:**
 - For high level tramp metal or weakly magnetic tramp metal applications, this system continuously cleans on the go without stopping production



DMU-200-SC Selection Guide

MODEL NUMBER	DMU'S FLOW OPENING AREA "B"		FLANGE WIDTH "C"		OVERALL WIDTH "D"		OVERALL LENGTH "E"		MAGNETIC TUBES	APPROX. UNIT'S WEIGHT		FLOW RATE
	SQ IN	SQ CM	IN	CM	IN	CM	IN	CM	2 Rows	LBS	KGS	FT ³ /HR
DMU-208-SC	8x8	20x20	12.25	31	22.75	57.79	43	109	7	170	77.1	600
DMU-210-SC	10x10	25x25	14.25	36	24.75	62.87	45	115	9	180	81.6	1,350
DMU-212-SC	12x12	30x30	16.25	41	26.75	67.95	47	120	11	190	86.2	2,400
DMU-214-SC	14x14	35x35	18.25	46	28.75	73.03	49	125	13	200	90.7	3,037
DMU-216-SC	16x16	40x40	20.25	51	30.75	78.11	51	130	15	230	104.3	3,750
DMU-218-SC	18x18	45x45	22.25	56	32.75	83.19	53	133	17	270	122.4	5,400
DMU-220-SC	20x20	50x50	24.25	61	34.75	88.27	55	140	19	280	127.0	6,337
DMU-222-SC	22x22	56x56	26.25	66.68	36.75	93.35	57	145	21	300	136.1	7,350
DMU-224-SC	24x24	61x61	28.25	71.76	38.75	98.43	59	150	23	330	149.7	9,600
DMU-226-SC	26x26	66x66	30.25	76.84	40.75	103.51	61	155	25	360	163.3	10,837
DMU-228-SC	28x28	71x71	32.25	81.92	42.75	108.59	63	160	27	390	176.9	12,150
DMU-230-SC	30x30	76x76	34.25	87.00	44.75	113.67	65	165	29	420	190.5	15,000
DMU-236-SC	36x36	91x91	40.25	102.24	50.75	128.91	71	180	35	460	208.6	21,600

Custom sizes available upon request.

DMU-200-SC Selectable Options

Cleaning Method:

- Manual clean [reference datasheet DM]
- Manual quick-clean [reference datasheet DMU-QC]
- Automated self-cleaning (standard)
- Continuous automated self-cleaning [reference datasheet CF-DMU-SC]

Number of Tiers of Tubes:

- 100 Series with 1 tier of tubes
- 200 Series with 2 tiers of tubes (standard)
- 300 Series with 3 tiers of tubes
- 400 Series with 4 tiers of tubes

Material Construction:

- 304 Stainless Steel (standard)
- 316 Stainless Steel

Magnetic Tubes [reference datasheet MT]:

- Ceramic
- REN Rare Earth (standard)
- Hi-G high performance Rare Earth
- TW Thin Wall high performance Rare Earth

**Specifications subject to change*

Magnetic Material Temperature:

- 400° @ 3.5 MGO (ceramic)
- 176 F @ 52+ MGOe (rare earth) (standard)
- 248° @ 48 MGO (rare earth)
- 356° @ 38 MGO (rare earth)
- 662° @ 30 MGO (rare earth)

Tube Spacing:

- 2" horizontal and vertical spacing (standard)
- 3" (approx.) horizontal and vertical for increased flowability (recommended for products that bridge or choke) (adds 1" to OAH)
- 3" (approx.) horizontal only for increased flowability (available for height restrictions only)
- Custom configurations available

Tube Coatings:

- Stainless steel with no coating (standard)
- Synergistic Coating [reference datasheet Synergistic Coating]

Gasket Material:

- White silicone, FDA approved (standard)
- Buna, FDA approved
- Metal detectable blue silicone, FDA approved

Stripper Material:

- UHMW material (standard)
 - Maximum temperature: 180 F
- Hydrex material
 - Higher wear resistance compared to UHMW
 - Higher maximum temperature: 221 F
- Metal Detectable Hydrex
- Teflon material
 - Higher wear resistance compared to UHMW
 - Higher maximum temperature: 500 F

Transitions: Stainless steel transitions for easy installation

- Not included (standard)
- Inlet, outlet or both, configured as required for installation

Companion Flanges: Matching companion flanges for customer to weld onto existing chute work for easy installation

- Not included (standard)
- Stainless steel companion flanges
- Carbon steel companion flanges

Housing Vibrator: Housing mounted vibrators improve product flowability over magnetic tubes

- Mounting holes only (standard)
- Pneumatic vibrator

Reed Switches: For position verification of cylinders in open and closed position

- Not included (standard)
- Quantity 1 bolt on magnetic reed switch for unit closed confirmation (120VAC/VDC 500MA)
- Quantity 2 bolt on magnetic reed switches for unit open and closed confirmation (120VAC/VDC 500MA)

Valve Package:

- 120VAC explosion proof rated (standard)
- 240VAC explosion proof rated
- 12VDC explosion proof rated
- 24VDC explosion proof rated
- Manual lever to actuate magnet cycle

Safety Cage Design:

- Safety cage with removable cover for magnet access (standard)
- Safety cage with hinged cover for easy magnet access
- Safety cage with hinged cover, Lexan viewing window and DESTACO latches for easy magnet access and visual drawer position monitoring

Tramp Metal Collection Method:

- Open bottom safety cage with MPI standard flange (standard)
- Removeable collection tray (split tray for sizes 16" and larger)
- Bolt on tramp iron collection transition to 4" pipe with sock bead to attach collection pipe or bag

Rack and Pinion System: Large drawers, adhesive and abrasive products can benefit from the added alignment provided by the rack and pinion system. The RP system provides smooth and jam free cleaning of the magnetic tubes ensuring that all magnet tubes travel the exact same distance, at the same time, from left to right, top to bottom, resulting in reduced system wear and improved magnetic tube cleaning.

- Not included (standard)
- Included

Internal Drawer Support: Provides drawer support when cycling and mechanically fastens tubes together

- Not included (standard on sizes 16" and smaller)
- Included (standard on all sizes 18" and larger)

Visual Position Indicators: Mechanical color coded flags move with drawer and indicate drawer position

- Not included (standard)
- Included