

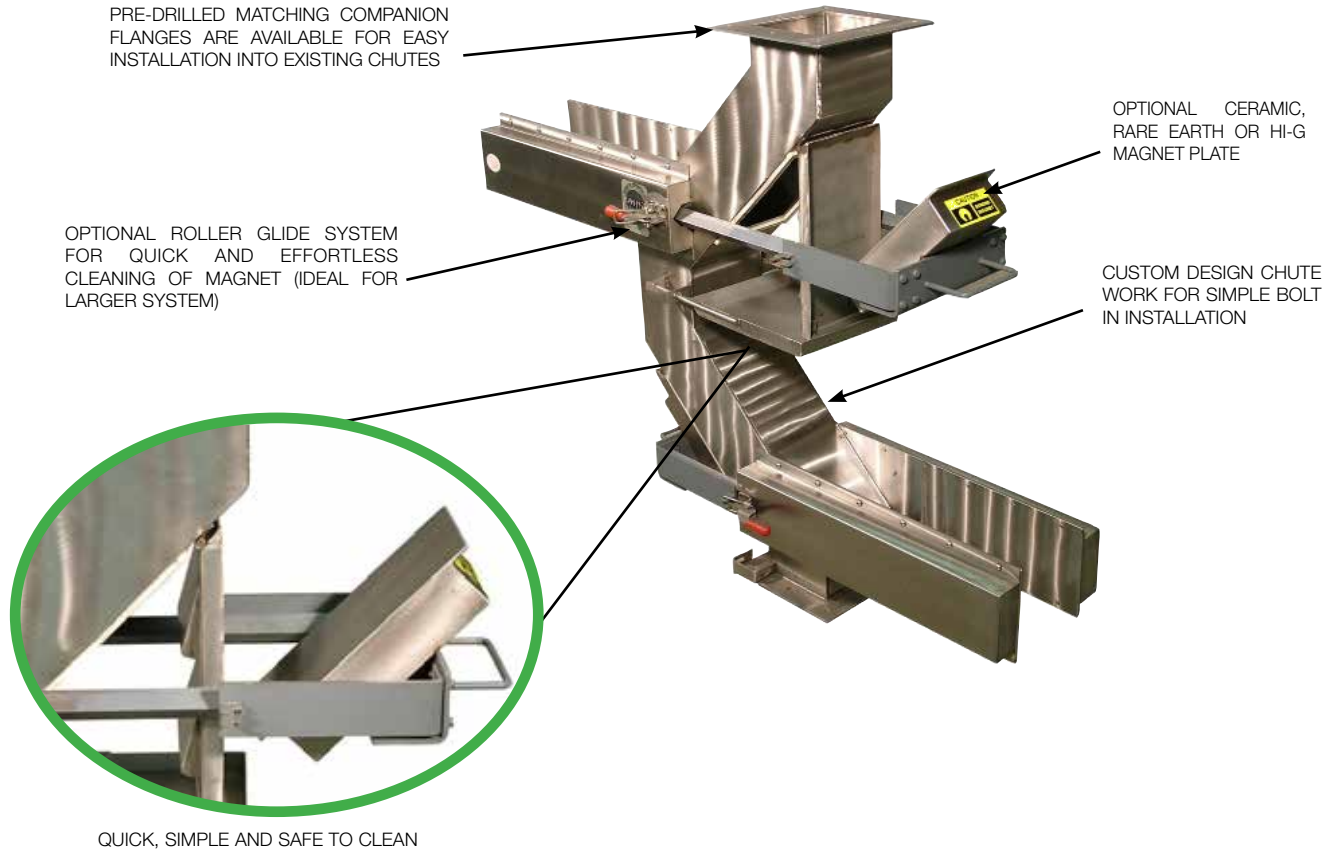


MAGNETIC PRODUCTS, INC.

ENGINEERED METAL CONTROL SOLUTIONS

Magnetic Hump Separator

Series: HM



Application

MPI's Hump Magnets supply reliable and economical magnetic separation of tramp metal contaminants in low to high volume product flows in gravity-fed chutes. Hump Magnets are ideal for separating various sized contaminants in the food, feed, grain, chemical, plastics and industries.

Operation

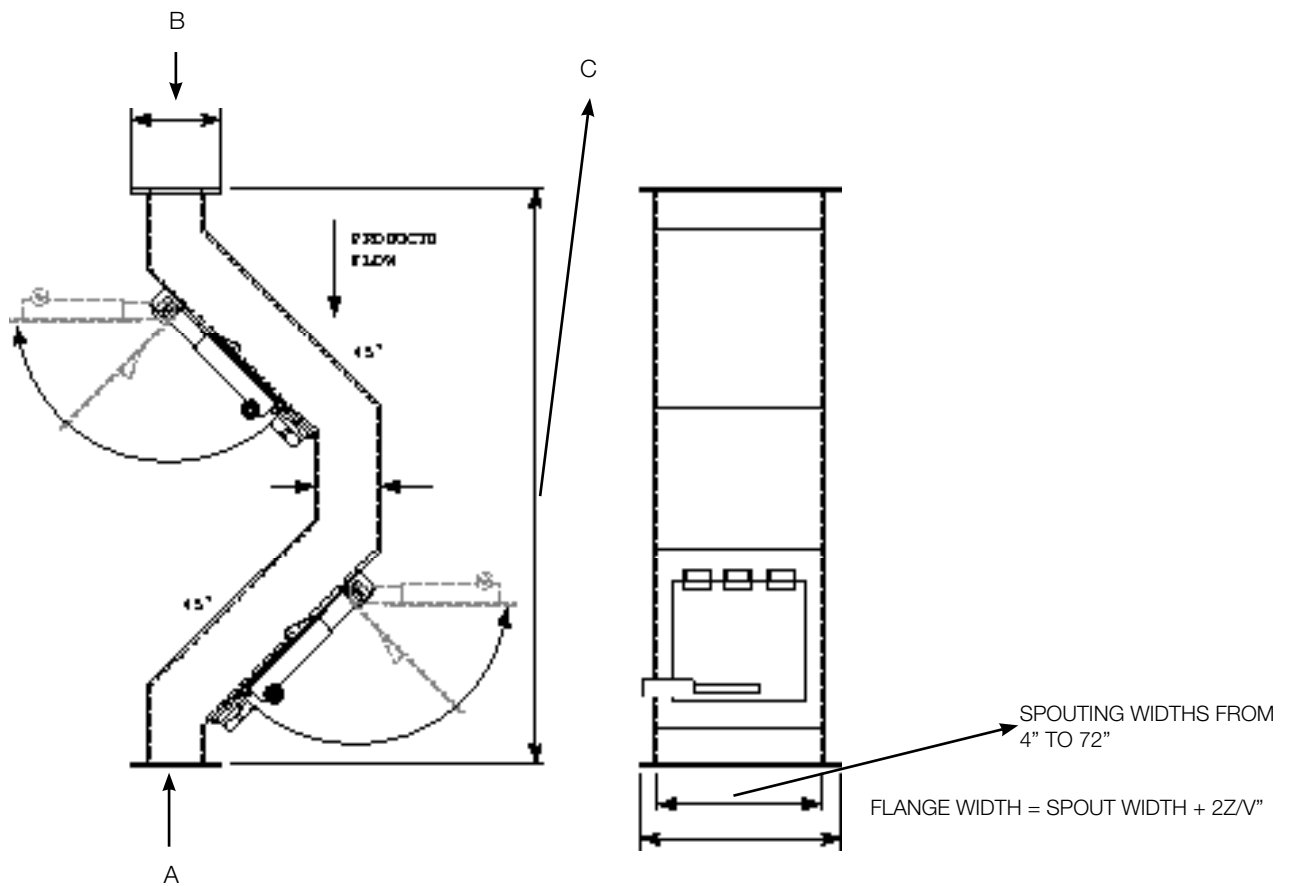
MPI's Hump Magnets can significantly reduce downtime on production runs by filtering out the ferrous contaminant that contributes to costly wear and tear on processing equipment. Similar to other MPI separation equipment, HM separators are engineered for easy installation, low maintenance and long service life. MPI's HM separators make use of powerful Plate Magnets to eliminate ferrous contaminant from free-flowing materials in gravity-fed, angled chutes. An optional Plate Magnet Adapter is available to provide effortless operation with larger plate magnet sizes during the cleaning cycle. Heavy lifting and handling is eliminated. Simply terminate the product flow, release the clamps, and slide the magnet out to discharge ferrous contaminant.

**Specifications subject to change*

Series HM Version 3.0 © MPI

MPI

683 Town Center Drive, Highland, MI 48356 | p. 248.887.5600
info@mpimagnet.com | www.mpimagnet.com



HM Selection Guide

MODEL NUMBER	PLATE MAGNET SERIES	SPOUT SIZE "A"		FLANGE LENGTH "B"		APPROX. OVERALL HEIGHT "C"		EFFECTIVE MAGNETIC FIELD DEPTH		APPROX. UNIT WEIGHT	
		IN.	MM	IN.	MM	IN.	MM	IN.	MM	LBS.	KG
MH-300	300	6	76	8.25	210	30	762	3	76	236	108
MH-400	400	6	127	10.25	260	42	1067	5	127	276	126
MH-500	500	8	203	14.25	362	48	1219	8	203	346	156
MH-600	600	10	254	16.25	413	52	1321	10	279	486	220

Standard Features

- Permanent Ceramic 8 magnet material
- Stainless steel housing
- 1" wide sealing flange around magnet, along with heavy-duty clamps and gasket prevent product leakage

Options

- Magnet roller glide mechanism provides easy operation with no heavy lifting or handling during magnet cleaning
- Powerful Rare Earth magnet material
- Plexiglas inspection windows
- Self-cleaning designs
- Pre-drilled matching companion flanges for easy installation

**Specifications subject to change*

Series HM Version 2.0 © MPI

MPI

683 Town Center Drive, Highland, MI 48356 | p. 248.887.5600
 info@mpimagnet.com | www.mpimagnet.com