



SHARK® PH 0052
Metal detection for tablets and capsules



Infeed funnel included (mirror polished SS316)



Disassemble the reject without tools

Reject won't damage tablets

METAL SHARK® PH For Pharmaceuticals

Typically, the METAL SHARK® PH types are used at the outlet of a tablet press and *provide highest performance* in detecting magnetic and non-magnetic metals. The tablets fall through the metal detector. With the reject flap smallest metal objects are separated out of the goods' stream promptly. With a maintenance free design and high quality construction, for reliable operation in the most challenging industrial environments.

Outstanding Sensitivity and Stability

The METAL SHARK® provides outstanding sensitivity, accuracy, stability and precise compensation of product effects.

IQ, OQ, PQ, SQ Qualification Templates

Cassel supplies the required qualification templates along with the METAL SHARK® PH metal detector (SQ is optional).

Performance validation

The performance validation automatically prompts the operator to test the performance of the Metal Shark at pre-set intervals.

Infeed and Reject

System Chutes, moulded, for both infeed and reject, throughput max. 5000 tablets per minute. Solenoid driven stainless steel reject diverter mechanism, mirror polished, variable infeed / outfeed height Quick demount design for easy cleaning.

Support Stand

Stainless steel support stand, mirror polished, mobile through castors and fixed feet, height adjustable.

No Maintenance

The automatic balance and calibration control ensures many years of reliable performance. The requirement for costly routine manufacturer actions is eliminated. Once set, the METAL SHARK® does not require any manufacturer adjustment at all. Therefore implementing the METAL SHARK® PH will help to save your service budget.

Specifications

Model: METAL SHARK® PH 0052, Article #10710006

Pharmaceutical metal detection system featuring: PH Sensor head, Infeed and reject system, Mobile frame with castors, Stainless steel mirror polished .

Infeed and Reject System:

- PVDF pipe, inner diameter 44 mm (1,73")
- Solenoid driven reject diverter mechanism
- Variable infeed / outfeed height
- Quick demount design for easy cleaning

Support stand:

- Stainless steel support stand
- Mobile through castors and fixed feet
- Height adjustable

Tablet flow rates:

- Tablet Ø5xT3.5 mm = 31200 pcs/min.
- Tablet Ø7xT4.5 mm = 26500 pcs/min.
- Tablet Ø12xT4.5 mm = 12200 pcs/min.
- Tablet Oval W9xL16.5xT6.5 mm = 10500 pcs/min.

Best metal sensitivity:

- Fe Ø 0,3 / NFe Ø 0,4 / SS(316) Ø 0,5 mm

Controller Features

Model: METAL SHARK® PH CONTROL BOX, Article #10250031

Digital signal processor, digital noise filter, digital balance control, digital frequency control with synthesizer, digital temperature shift control, continuous self monitoring, maintenance-free, no need for calibration, self calibration of all circuits, PowerDrive circuit, Product Compensation performed automatically, with auto TEACH key

Output Signal metal alarm with potential-free changeover contact, metal alarm for 24 V SPS activation

Measuring Method inductive, multi channel operation, balanced receiver coil

Product Library 120 storage spaces

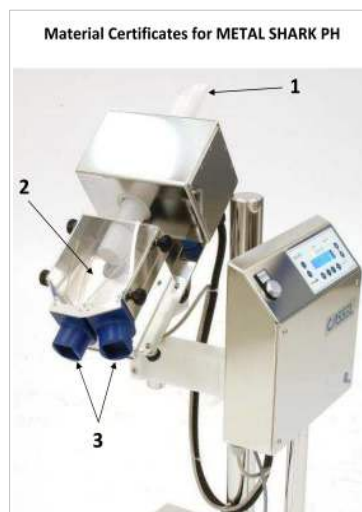
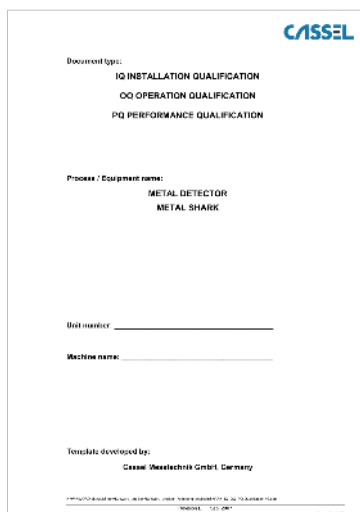
Ambience temperature -10 to +50 °C, humidity 30 to 85%

Power Supply one phase 85 ~ 264 V AC, 50/60 Hz, 100 Watt

Interface RS232, RS485, provides documentation

More detailed features:

refer to separate datasheet for METAL SHARK® CONTROLLER

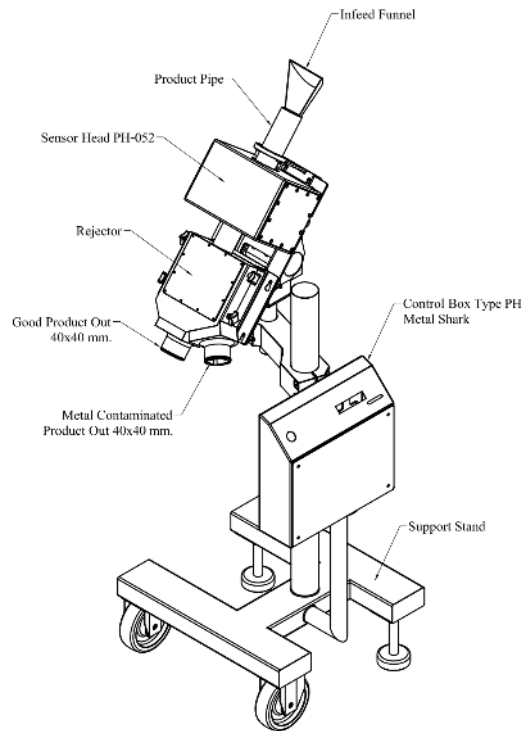
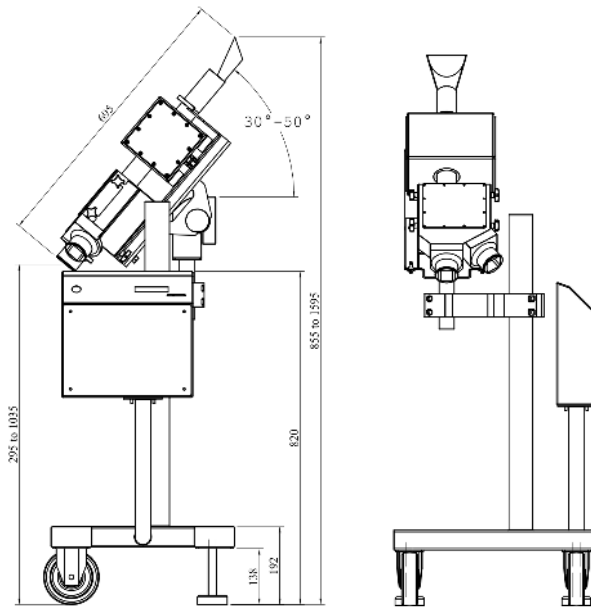


Included documents

- IQ/OQ/PQ qualification templates
- SQ qualification template (option)
- Material certificates
- Testpuck certificates
- METAL SHARK® PH Manual

METAL SHARK® PH For Pharmaceuticals

Dimensions



Cassel Messtechnik GmbH (Germany) – Headquarters and main production site

Located near Hannover, Germany, Cassel manufactures approximately 1.000 inspection systems annually. Nearly 80 percent of Cassel equipment is exported to the European Union, United States, Southeast Asia, Australia, South Africa and South America. Cassel supplies equipment to a number of industries, including food, plastics, pharmaceuticals, textiles, forestry and mining. Cassel equipment can be found in the production lines of many global and respected brands.



Cord Cassel
Managing Director of Cassel Messtechnik GmbH

Customers receive valuable worldwide service and support wherever their product inspection systems may be located. Over 50 representative offices located around the globe provide service performed by factory-trained technicians.

Since 1994, Cassel Messtechnik GmbH (Cassel) has led the industry in the design and build of metal detection, checkweigher and x-ray inspection systems for industrial applications. Cassel systems protect valuable production machinery against damage caused by undiscovered metal parts. Another area in which Cassel succeeds is Quality control in the consumer goods industry. Cassel strives to supply quality and high performance at a reasonable price.