

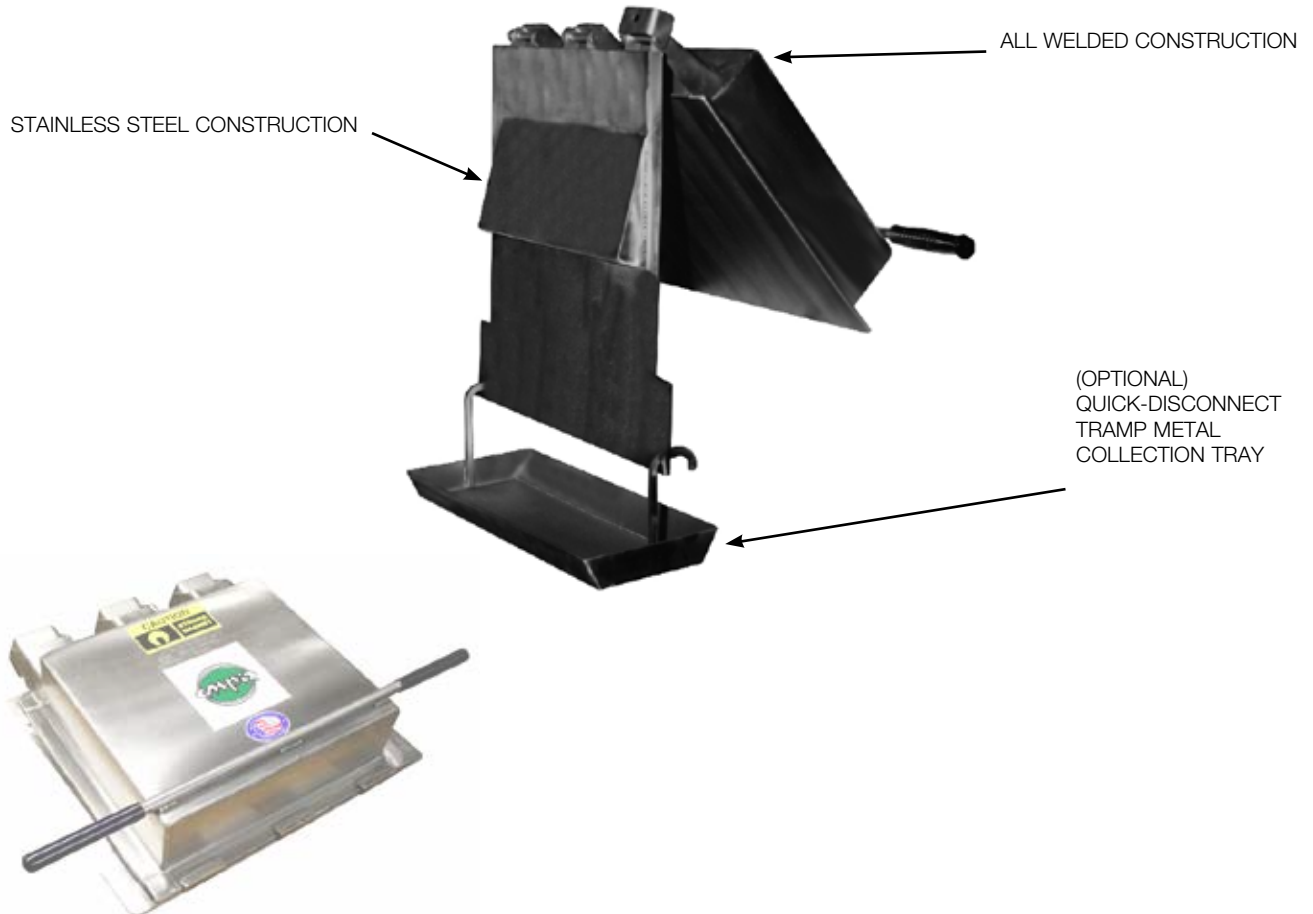


MAGNETIC PRODUCTS, INC.

ENGINEERED METAL CONTROL SOLUTIONS

Quick-Clean Plate Magnet

Series: PM-QC



Application

MPI's Single-Step and Double-Step Quick-Clean Plate Magnets are designed for use in gravity-fed angled chutes, which convey medium to high volume product streams. The single or double step stripper plate's sanitary design minimizes product stream "wash-off" in below-the-flow installations as the product flows over the magnetized surface.

PM-SS-QC or PM-DS-QC Series Plate Magnets are designed to divert the product stream away from the magnetic surface while allowing tramp metal to be attracted to the magnetized surface underneath the collection step(s) on the quick-clean face plate.

Operation

After terminating the product flow, the exclusive hinged design permits quick and easy removal of tramp metal from the product stream to a collection tray. Simply unlatch the magnet and pull back on the magnet's handle, this will de-magnetize the quick-clean collection face plate, allowing the tramp metal to fall into the (optional) collection tray outside the product stream. Next, simply latch the magnet back into operating position and turn your product flow back on.

**Specifications subject to change*

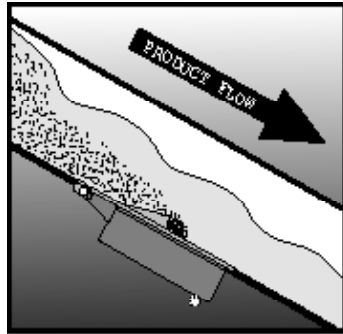
Series PM-QC Version 4.0 © Magnetic Products, Inc.

MPI

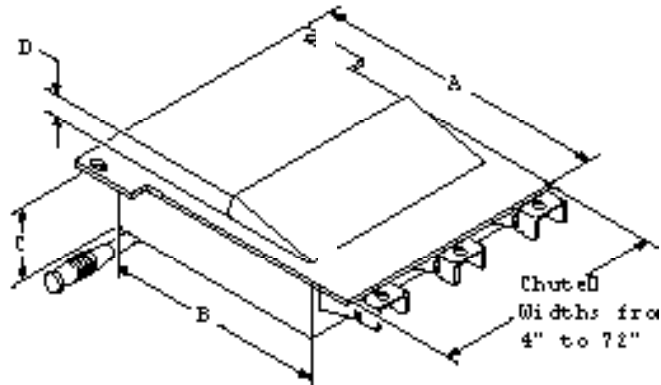
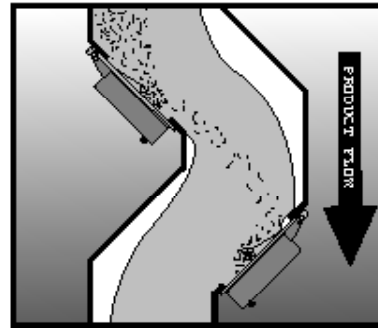
683 Town Center Drive, Highland, MI 48356 | p. 248.887.6100
info@mpimagnet.com | www.mpimagnet.com

TYPICAL APPLICATIONS

MOUNTED TO
BOTTOM OF
ANGLED CHUTE



CROSS MOUNTED
IN VERTICAL FLOW
GRAVITY CHUTE



PM-QC Selection Guide

QUICK-CLEAN MODEL NUMBERS	MAGNET SERIES	LENGTH "A"		MAGNETIC FACE LENGTH "B"		THICKNESS "C"		STEP HEIGHT "D"		EFFECTIVE MAGNETIC FIELD DEPTH		APPROX. WEIGHT BY WIDTH PER/FT	
		IN.	MM	IN.	MM	IN.	MM	IN.	MM	IN.	MM	LBS.	KG
PM-1 _ _ -QC	100	10.375	263	5.00	127	.875	22	.500	13	1	25	19	8.6
PM-2 _ _ -QC	200	12.375	314	6.00	152	1.375	35	.625	16	2	51	25	11.3
PM-3 _ _ -QC	300	14.375	365	8.00	203	2.000	51	.750	19	3	76	45	20.4
PM-4 _ _ -QC	400	16.375	416	9.75	248	2.625	67	1.000	25	5	127	65	29.5
PM-5 _ _ -QC	500	19.375	492	12.75	324	4.125	105	1.500	38	8	203	100	45.4
PM-6 _ _ -QC	600	22.375	568	16.50	419	6.750	171	1.500	38	10	254	165	74.9

Standard Features

- Powerful permanent ceramic magnet material
- 100% stainless steel enclosed design
- Hinges and latches with mounting hardware for quick and easy installation
- 1" wide uniform sealing flange to prevent product flow leakage
- Waterproof, weatherproof enclosure
- Rugged all-welded construction

Options

- Quick disconnect tramp metal collection tray
- Powerful Rare Earth magnet material
- Custom designs and mountings
- Abrasion resistant face plates

**Specifications subject to change*

Series PM-QC Version 4.0 © Magnetic Products, Inc.

MPI

683 Town Center Drive, Highland, MI 48356 | p. 248.887.6100
info@mpimagnet.com | www.mpimagnet.com