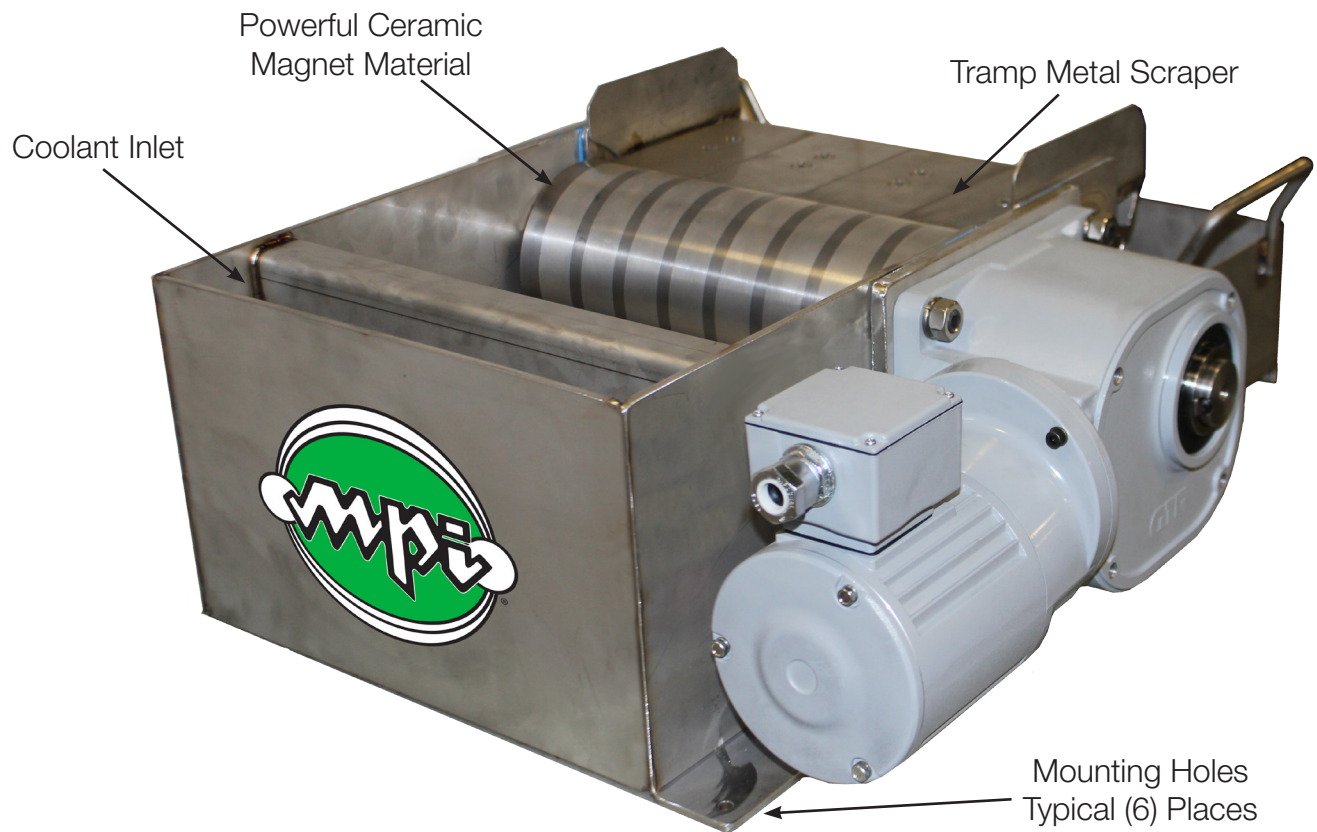




# Magnetic Coolant Cleaner

Series: CC



## Application

MPI's Coolant Cleaner is a continuous cleaning magnetic separator that removes ferrous material from the coolant flow and deposits it into a disposal bin. This CC-series cleaner is ideal for production runs of ferrous material on cutting and grinding machine tools. MPI's Coolant Cleaner works with water based coolants or straight cutting oils. Cost effective and durable, this separator extends the life cycle of machine tools and their coolant. It provides increased productivity with less downtime for machine coolant replacement.

## Operation

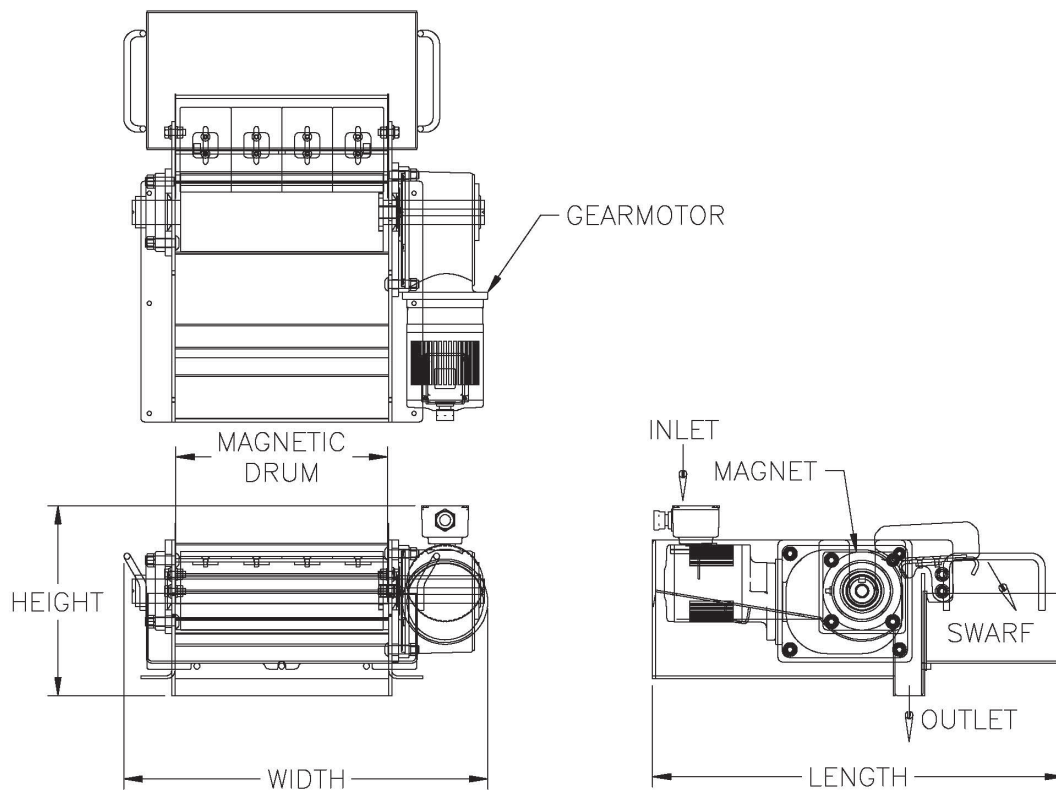
MPI's Coolant Cleaner provides simple and automatic cleaning using powerful Ceramic 8 magnet material in the core of its drum, which is partially submerged in the liquid. The magnetic field passes through the coolant flow, so all the liquid comes into contact with the high intensity magnetic field. Ferrous contaminants attach to the rotating drum and is cleaned continuously by a profiled scraper. The contaminants are pushed along the scraper until they fall into a bin. As the contaminants are pushed along the scraper, they are compressed and any excess liquid drains back into the tank leaving the solids almost dry. The CC-series separator can be integrated with other purifiers to provide a very efficient filtering system.

*\*Specifications subject to change*

Series CC Version 2.0 © MPI

**MPI**

683 Town Center Drive, Highland, MI 48356 | p. 800.544.5930 | f. 248.887.6100  
info@mpimagnet.com | www.mpimagnet.com



## CC Selection Guide

CC Model #	Approx. Capacity GPM				Magnetic Drum Size				Unit Weight	
	Water Soluble Contamination		Oil 100 SSU Contamination		Diameter		Width			
	Light	Heavy	Light	Heavy					IN	CM
	LBS	KG	LBS	KG	LBS	KG	LBS	KG		
CC-06	20	15	15	10	4.625	12	6	15	65	30
CC-12	40	35	25	20	4.625	12	12	31	135	61
CC-18	65	50	40	30	4.625	12	18	46	175	79
CC-24	85	70	50	40	4.625	12	24	61	225	102

### Contamination Scale

**Light to Medium** = up to approximately 1/8 lbs per gallon

**Medium to Heavy** = from approximately 1/8 lbs to just under 1/2 lbs per gallon