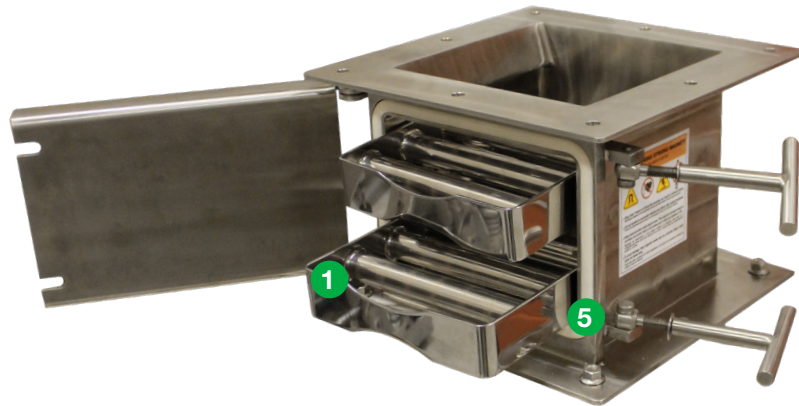




Magnets | Material Handling
Electronic Inspection | Service

200 Series Drawer Magnet and Housing

Series: DM-200



1 Magnetic Tubes:

- MPI drawer magnets feature two tiers of high intensity rare earth magnetic tubes that ensure the highest levels of magnetic filtration through direct product contact on the tubes, removing ferrous tramp metal from the product stream.

2 Product Flow Baffles:

- Installed at the housing inlet and above each tier of magnet drawer frames to ensure all products pass through the magnetic field. Also prevents the product from flowing between the housing and magnet drawer framing that will cause drawer "jamming" during regular magnet cleaning.

3 Sanitary Hinges & Latches with T-Handle:

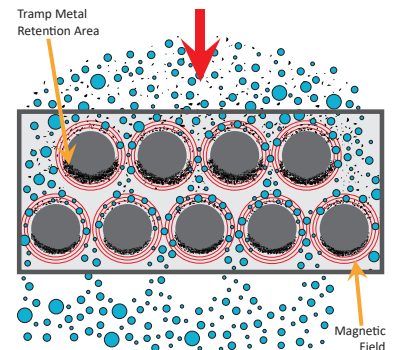
- Hinges manufactured from heavy gauge stainless steel and pivots the housing door front from 3/8" diameter, seam-welded support pins.

4 Magnet Drawer Frame Support Pins:

- Magnet drawers supported by sanitary seam-welded, 3/8" diameter pins. This design feature coupled with the standard magnet tier product flow baffles, prevents product from jamming between the housing and magnet drawer frame, allowing simple, tool free magnet removal for cleaning.

5 Sani-TIGHT Seal™ Gasket:

- Type: Compression style "O-ring" cord gasket
- Sealing plate: 1/2" thick machined stainless plate
- 100% Positive seal, cannot be over-compressed
- Sanitary: Gasket can be removed and replaced for wash-down, no adhesive required

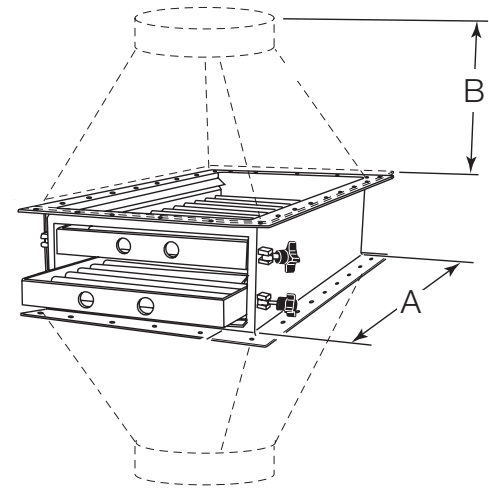


*Specifications subject to change

Series DM-200 Version 3.0 © MPI

DM-200 Selection Guide

MODEL NUMBER	PRODUCT FLOW OPENING AREA "A"		ADAPTER FLANGE HEIGHT (OPTIONAL) "B"		NUMBER OF MAGNETIC TUBES	APPROX. UNIT WEIGHT	
	IN.	CM	IN.	CM		LBS.	KG
DM-208	8 ²	20 ²	4.0	102	7	42	19
DM-210	10 ²	25 ²	4.0	102	9	55	25
DM-212	12 ²	31 ²	4.0	102	11	70	32
DM-214	14 ²	36 ²	4.5	114	13	85	39
DM-216	16 ²	41 ²	5.0	127	15	103	47
DM-218	18 ²	46 ²	5.0	127	17	123	56
DM-220	20 ²	51 ²	5.5	140	19	145	66
DM-222	22 ²	56 ²	6.0	152	21	167	76
DM-224	24 ²	61 ²	6.0	125	23	190	86
DM-226	26 ²	66 ²	6.5	165	25	215	98
DM-228	28 ²	71 ²	7.0	178	27	245	111
DM-230	30 ²	76 ²	7.0	178	29	273	124
DM-236	36 ²	91 ²	8.0	203	35	320	145



DM Selectable Options

Cleaning Method:

- Manual clean (standard)
- Manual quick-clean [reference datasheet DMU-QC]
- Automated self-cleaning [reference datasheet DMU-SC]
- Continuous automated self-cleaning [reference datasheet CFDMU-SC]

Number of Tiers of Tubes:

- 100 Series with 1 tier of tubes
- **200 Series with 2 tiers of tubes (standard)**
- 300 Series with 3 tiers of tubes
- 400 Series with 4 tiers of tubes

Material Construction:

- **304 Stainless Steel (standard)**
- 316 Stainless Steel

Magnetic Tubes [reference datasheet MT]:

- Ceramic
- **REN Rare Earth (standard)**
- Hi-G high performance Rare Earth
- TW Thin Wall high performance Rare Earth

Magnetic Material Temperature:

- 400° @ 3.5 MGO (ceramic)
- **176 F @ 52+ MGOe (rare earth) (standard)**
- 248° @ 48 MGO (rare earth)
- 356° @ 38 MGO (rare earth)
- 662° @ 30 MGO (rare earth)

Tube Spacing:

- **2" horizontal and 3.250" vertical spacing (standard)**
- 3" (approx.) horizontal and 3.250" vertical for increased flowability (recommended for products that bridge or choke)
- Custom configurations available

Tube Coatings:

- **Stainless steel with no coating (standard)**
- Synergistic Coating [reference datasheet Synergistic Coating]

Gasket Material:

- **White silicon, FDA approved (standard)**
- Buna, FDA approved
- Metal detectable blue silicon, FDA approved

Position Switch: For unit closed confirmation or safety interlock

- **Not included (standard)**
- Proximity switch for unit closed confirmation (MPI Standard model and mount)
- Mechanical safety switch for unit closed confirmation and safety (MPI Standard model and mount)
- Switch mounting bracket only (customer supplied switch)
- Customer specified model

Transitions: Stainless steel transitions for easy installation

- **Not included (standard)**
- Inlet, outlet or both, configured as required for installation

Companion Flanges: Matching companion flanges for customer to weld onto existing chute work for easy installation

- **Not included (standard)**
- Stainless steel companion flanges
- Carbon steel companion flanges

Housing Vibrator: Housing mounted vibrators improve product flowability over magnetic tubes

- **Not included (standard)**
- Pneumatic vibrator