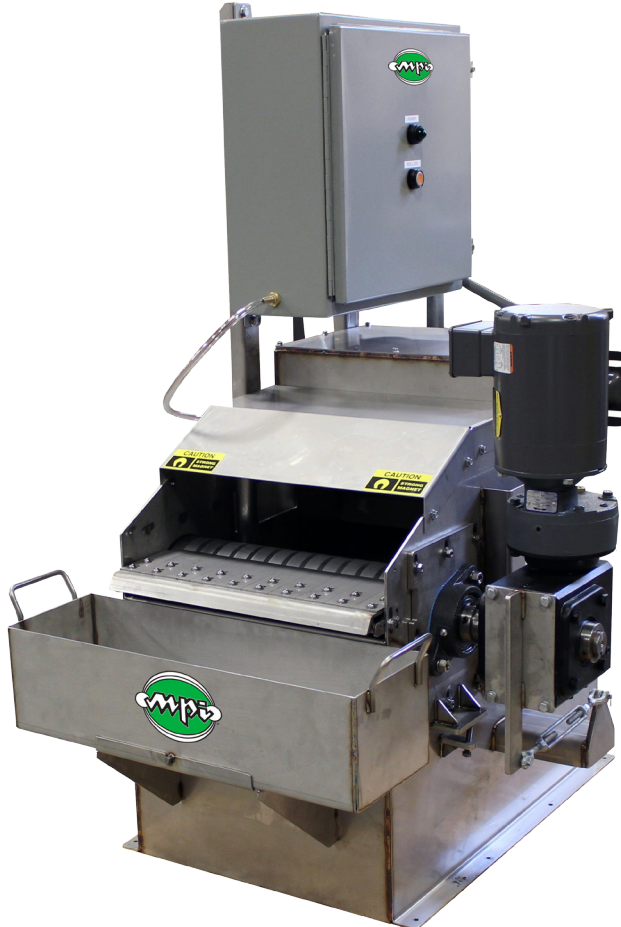




Eco-Flow Magnetic Coolant Cleaner

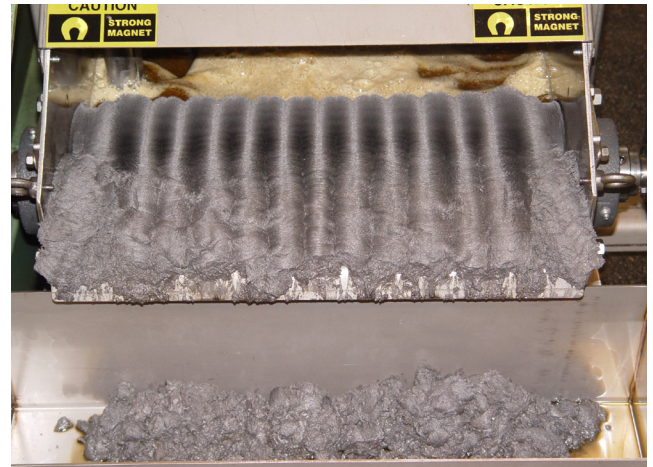
Series: Eco-Flow

Eco-Flow



Application

The Eco-Flow is a continuous cleaning magnetic separator that removes grinding swarf and other contaminants from coolants and deposits them directly into a disposal bin, eliminating the need and costs associated with collecting, transporting and dumping waste materials. As swarf is removed, fluids are fed automatically back into the reservoir tank. An extremely dry swarf “cake” is produced. A drier cake means fewer messy, oily pools around machinery, and improved coolant recovery, reducing consumable costs. Magnetic technology is green, and substantially reduces both the need to buy costly consumables and the associated downtime required to change paper filters.



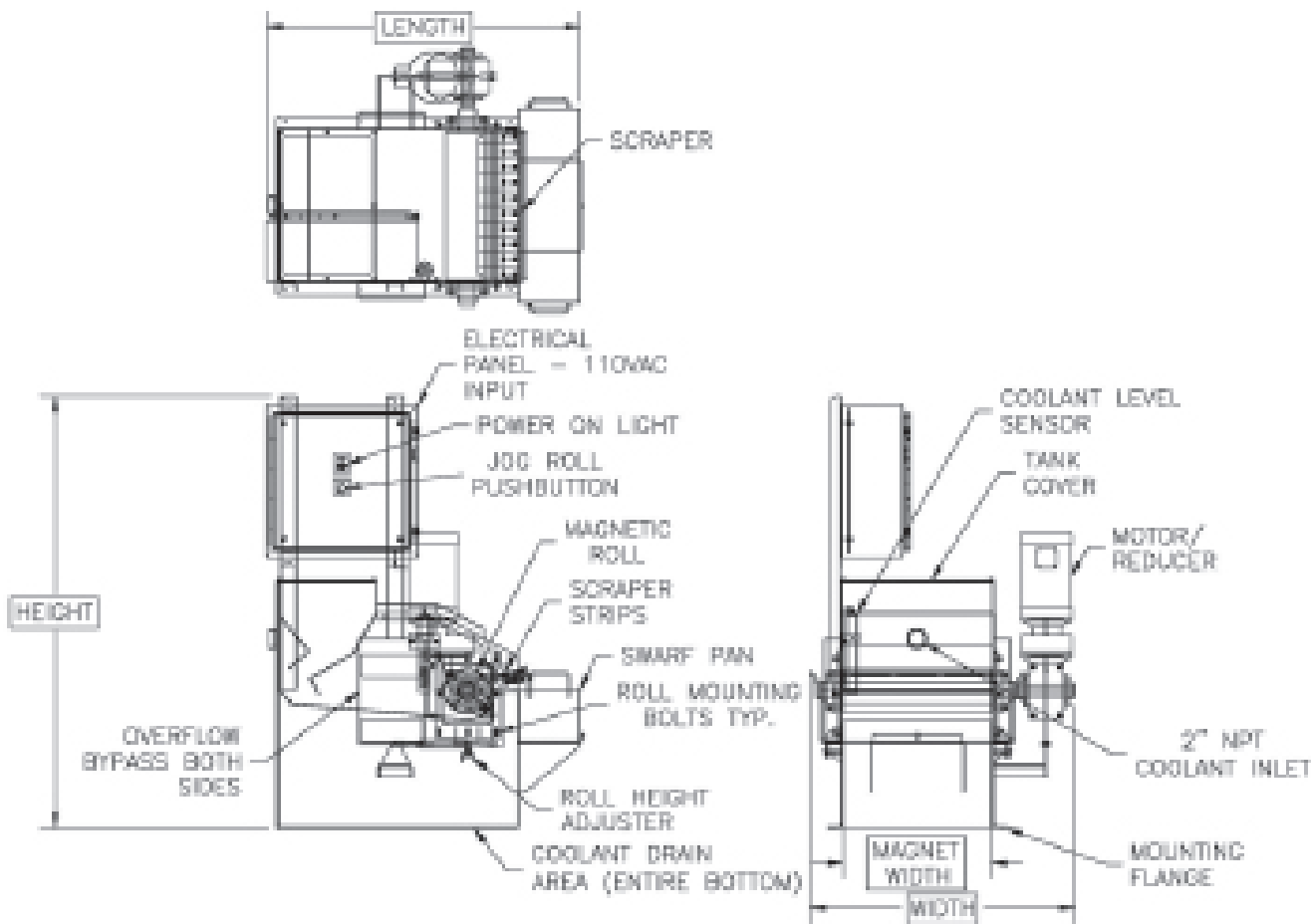
- True plug and play filtration! System ships complete with magnetic roll, scraper system, fluid tank, inlet port (sized to specifications) and controls. Plugs into a standard 110V outlet
- Fluid intake system keeps coolants calm, allowing contaminants to contact the roll at a lower velocity for improved magnetic filtration
- An on-demand indexing roll design eliminates the need for ineffective plastic squeegees. Eco-Flow’s adjustable blades cause maximum magnet cleaning and coolant recapture. Integrated magnetic roll never needs replacement
- Indexing magnetic roll allows captured swarf to “comb” coolant for magnetic and entrapped nonmagnetic particles. More contaminants are captured and removed from fluids
- An automatic coolant level sensor monitors the level of incoming fluid to maximize filtration and avoid coolant overflow
- Roller life is extended up to 10 years
- Overflow bypass eliminates potential spills in case of electrical or mechanical failure. Plant stays clean and potential accidents are prevented

**Specifications subject to change*

Series ECO-Flow Version 2.0 © MPI

MPI

683 Town Center Drive, Highland, MI 48356 | p. 800.544.5930 | f. 248.887.6100
info@mpimagnet.com | www.mpimagnet.com



Eco-Flow Selection Guide

Model Number	GPM		Magnet Width		Length		Height		Width		Approx. Unit Weight	
	Water	Oil	IN	CM	IN	CM	IN	CM	IN	CM	LBS	KG
Eco-Flow 7	29	15	7	17.8	41.2	104.6	56.7	144	21.3	54.1	500	227
Eco-Flow 11	46	23	11	27.9	41.2	104.6	56.7	144	25.3	64.3	550	250
Eco-Flow 19	80	40	19	48.3	41.2	104.6	56.7	144	33.3	84.6	600	274
Eco-Flow 38	160	80	38	96.5	41.2	104.6	56.7	144	52.3	132.8	650	295

* For highest performance separation, de-rate 20 - 25%. Rates shown are based on physical capacity. Lower rates may be required, depending upon flow characteristics, volume of contaminants and efficiency desired.

** Up to 100 SSU.

Standard Features

- High intensity rare earth magnetic material traps contaminants
- Stainless steel construction
- Automatic and continuous self-cleaning
- Runs on standard 110 VAC
- Custom sizes and configurations available