



Free-Flow Cylinder Magnet Quick-Clean

Series: FFC-QC

FDA APPROVED COMPRESSION STYLE GASKET WHICH OFFERS BULLET-PROOF SEAL AND VIRTUALLY ELIMINATES REPLACEMENT



POWERFUL SIX-SIDED PERMANENT MAGNET, WILL NOT BRIDGE WITH DIFFICULT FLOWING PRODUCTS

QUICK CLEAN MAGNET SHELL

Application

MPI's exclusive Quick-Cleaning Free-Flowing Cylinder Magnets are designed to capture both large and small tramp metal from high-volume, abrasive, vertical gravity-fed product streams such as grain and mining products. The FFC-QC Series magnets provide maximum ferrous tramp metal retention in product streams where "wash-off" is of concern.

Operation

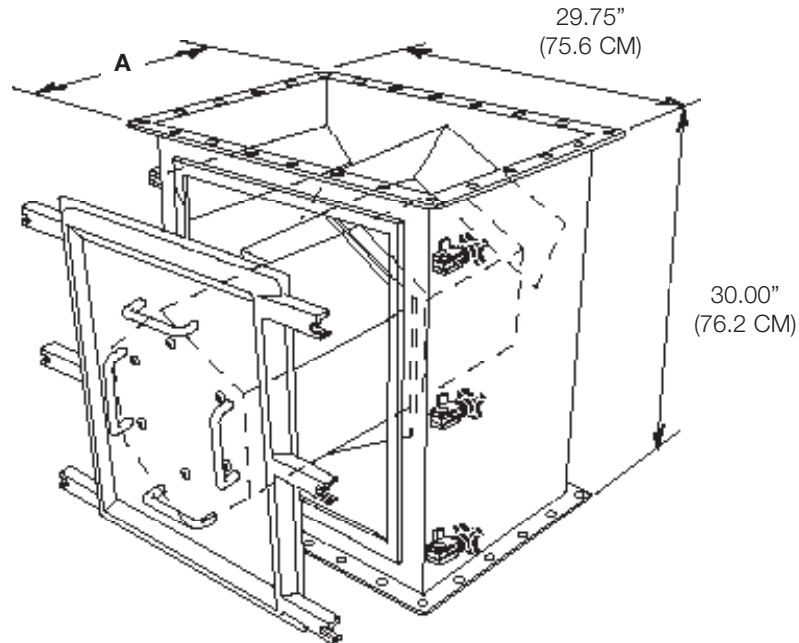
A powerful six-sided permanent magnet is located in the center of the stainless steel housing. As the product stream flows around the magnet through the housing, ferrous metals collect on the magnet. The six sided magnet combines the advantages of both the plate and grate magnet designs into one. Like a grate magnet, ferrous metals are directed to impact on the magnet to insure their capture. Metal which is subject to product stream "wash-off" is held to the magnet surface and simply rotates around the magnet until out of the product flow area. Also like a plate magnet, each of the six magnet surfaces has the high magnetic field reach-out required to attract and retain large ferrous metals. The exclusive quick-clean stripper shell allows for easy removal of metal from the product stream to a disposable area outside the unit.

**Specifications subject to change*

Series FFC-QC Version 2.0 © MPI

MPI

683 Town Center Drive, Highland, MI 48356 | p. 800.544.5930 | f. 248.887.6100
info@mpimagnet.com | www.mpimagnet.com



NOTE:
 FFC SERIES MAGNETS ARE SUPPLIED WITH 2" FLANGES.
 INTERIOR HOUSING WIDTH = 25.5" (64.8 CM)

FFC-QC Selection Guide

FFC-QC MODEL #	MAXIMUM INLET AREA OPENING		DEPTH "A"		APPROX. UNIT WEIGHT	
	SQ. IN.	SQ. CM	SQ. IN.	SQ. CM	LBS	KG
FFC-12-QC	152	386	12	30	450	204
FFC-18-QC	216	548	18	46	632	287
FFC-24-QC	288	732	24	61	817	371
FFC-30-QC	360	914	30	76	1002	455
FFC-36-QC	432	1097	36	91	1187	540
FFC-42-QC	504	1280	42	107	1372	624
FFC-48-QC	576	3716	48	122	1557	708

Standard Features

- Powerful Permanent Ceramic magnet material
- Removable stripper shell—provides three wear surfaces to handle abrasive products
- 100% Stainless Steel construction
- Heavy-duty hexagon shaped magnet

Options

- Matching companion flanges supplied for quick and easy installation to existing chutes
- Custom alloy stainless steel construction
- Tramp metal collection tray
- Product flow inlet and outlet transitions

*Specifications subject to change

Series FFC-QC Version 2.0 © MPI

MPI

683 Town Center Drive, Highland, MI 48356 | p. 800.544.5930 | f. 248.887.6100
 info@mpimagnet.com | www.mpimagnet.com