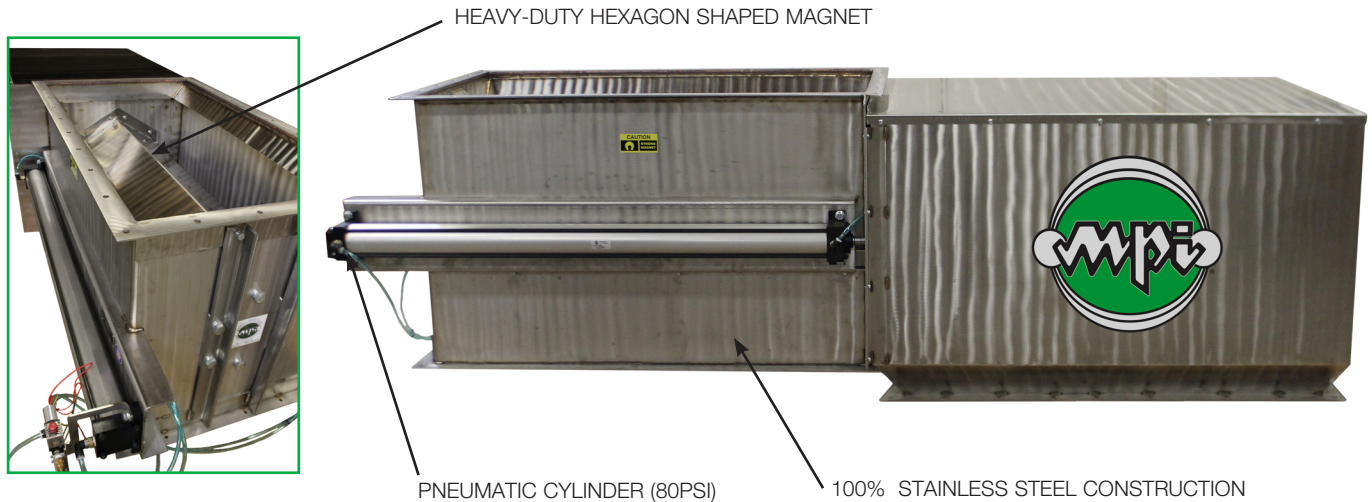




Free-Flow Cylinder Self-Cleaning Magnet

Series: FFC-SC



Application

MPI's exclusive Self-Cleaning Free-Flow Cylinder Magnets are designed to capture both large and small tramp metal from high volume, vertical gravity-fed product streams. They are especially suited for abrasive grain or mining products. FFC-SC Series Magnets provide maximum ferrous tramp metal retention in product streams where "wash-off" is a concern.

Operation

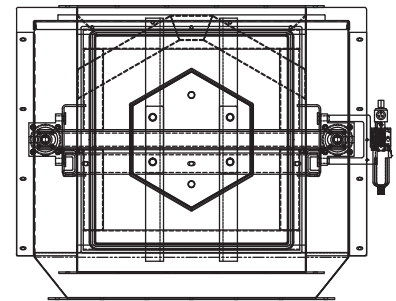
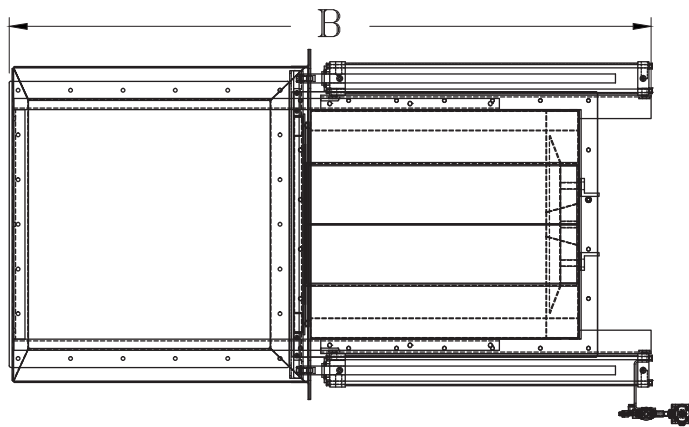
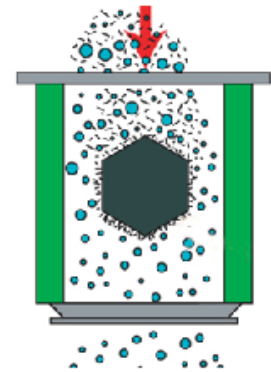
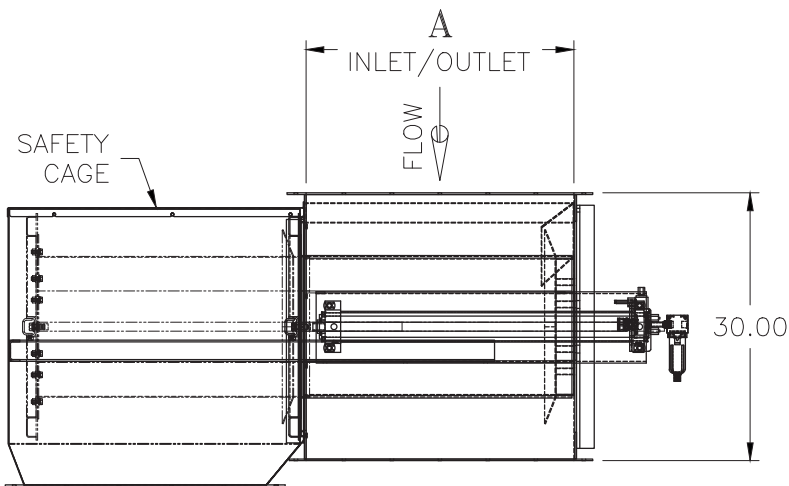
A powerful six-sided permanent magnet is located in the center of the stainless steel housing. As the product stream flows around the housing, ferrous metals collect on the magnet's surface. The six-sided magnet combines the design advantages of both the plate and grate magnets into one. Like a grate magnet, ferrous metals are directed to impact on the magnet surface to insure their capture. Metal which is subject to product stream "wash-off" is held to the magnet's surface and simply rotates around the magnet until it is out of the product flow area. Like a plate magnet, each of the six magnetic surfaces has a high "reach-out" magnetic field required to attract and retain large ferrous metal. The pneumatically operated stripper shell safely removes tramp metal from the product stream to a disposable area outside of the chute.

**Specifications subject to change*

Series FFC-SC Version 2.0 © MPI

MPI

683 Town Center Drive, Highland, MI 48356 | p. 800.544.5930 | f. 248.887.6100
info@mpimagnet.com | www.mpimagnet.com



FFC-SC Selection Guide

MODEL NUMBER	PRODUCT FLOW OPENING "A"		OVERALL LENGTH DIM. "B"		APPROX. UNIT WEIGHT	
	IN.	CM	IN.	CM	LBS.	KG
FFC-18-SC	18	46	45	114	853	387
FFC-24-SC	24	61	57	145	1047	476
FFC-30-SC	30	76	69	175	1242	565
FFC-36-SC	36	91	81	206	1437	653
FFC-42-SC	42	107	93	236	1632	742
FFC-48-SC	48	122	105	257	1827	830

Standard Features

- 100% stainless steel housing
- Heavy-duty hexagon shaped magnet
- Removable magnet stripper shell—provides three wear surfaces to handle abrasive products
- Pneumatic operating system
- Safety guards, air filters and NEMA1 construction

Options

- Tramp metal collection tray
- NEMA 4 - 13 enclosures available
- Inlet/outlet transitions
- Matching companion flanges can be made for easy installation into existing chutes

**Specifications subject to change*

Series FFC-SC Version 2.0 © MPI

MPI

683 Town Center Drive, Highland, MI 48356 | p. 800.544.5930 | f. 248.887.6100
 info@mpimagnet.com | www.mpimagnet.com