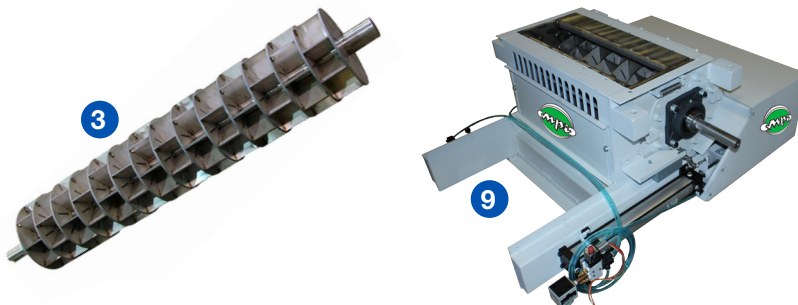
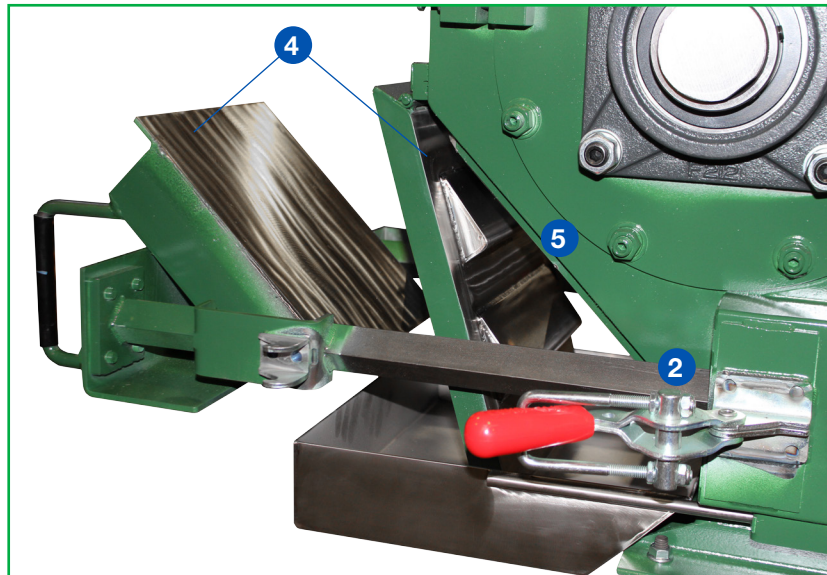
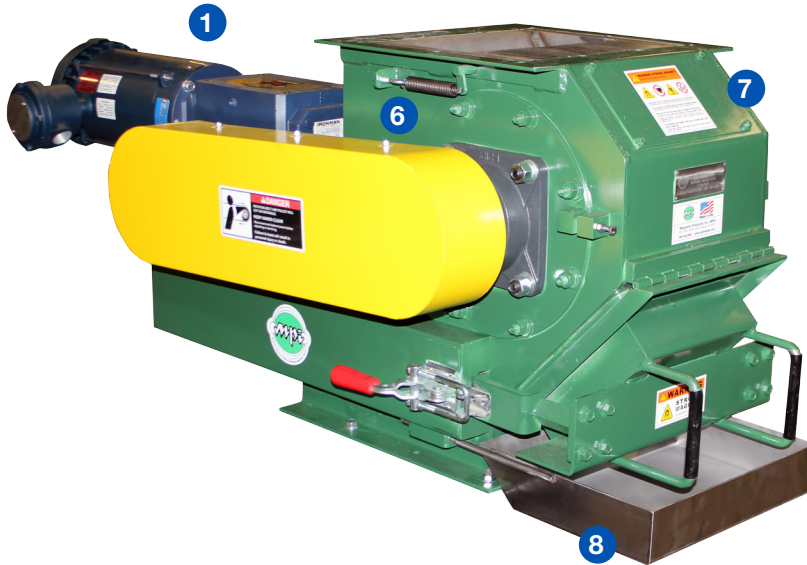




Magnets | Material Handling  
Electronic Inspection | Service

# Magnetic Rotary Feeder

Series:MRF



- 1 Premium Upgraded Feeder:**
  - Direct OEM replacement
  - Bolt on design, built to match inlet
  - Magnet installation is strategically located where the feed of material is most consistently dispersed providing superior magnetic separation before product enters the mill
- 2 Effortless Magnet Cleaning System:**
  - Exclusive safe, easy-clean magnetic roller glide system properly protects mill from tramp metal
  - The magnet weight rolls on "V" guided roller bearings so that there is virtually no effort needed for magnet cleaning

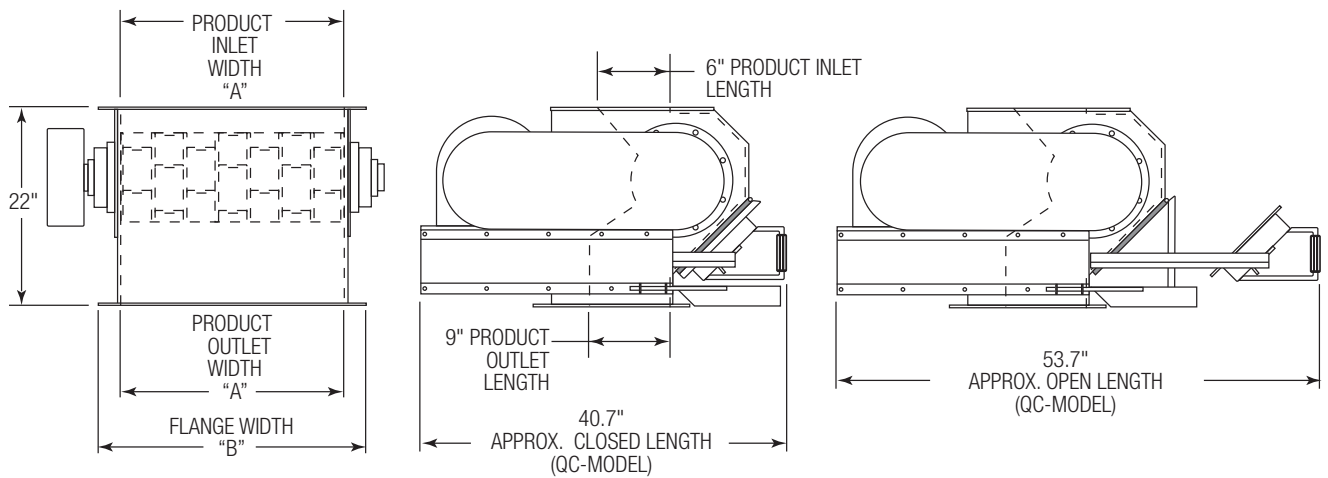
Step 1: Unlatch the plate and pull the handle towards operator. Stripping mechanism will deposit tramp metal into collection tray.

Step 2: Push handles towards feeder and re-clamp latches.
- 3 Stainless Steel Segmented Cup Feeder:**
  - Delivers even product distribution to mill for increased operation life between replacements
  - Fabricated from heavy gauge stainless steel for increased wear resistance
- 4 Powerful 400 Series Ceramic Magnet:**
  - Optional rare earth or exclusive hybrid magnet options for increased tramp metal protection
  - Stepped magnet face maximizes tramp metal removal and minimizes tramp metal "wash-off" between magnet cleanings
- 5 Sani-TIGHT Seal™ Gasket:**
  - Type: Compression style "O-ring" cord gasket
  - Sealing plate: 1/2" thick machined stainless plate
  - 100% Positive seal, cannot be over-compressed
  - Sanitary: Gasket can be removed and replaced for wash-down, no adhesive required
  - Material: FDA approved silicon
- 6 Adjustable Spring Loaded Control Gate**
- 7 Removable Inspection Cover**
- 8 Tramp Metal Collection Tray:**
  - Attachment: Removable cantilever tray
  - Locking notch prevents tray from vibrating loose
- 9 Self-Clean Model Available:**
  - Automated cleaning, easy inspection and maintenance

\*Specifications subject to change

**MPI**

683 Town Center Drive, Highland, MI 48356 | p. 800.544.5930 | f. 248.887.6100  
info@mpimagnet.com | www.mpimagnet.com



## MRF Selection Guide

FEEDER SIZE	MANUAL QUICK-CLEAN MODEL	AUTOMATIC SELF-CLEAN MODEL	INLET/OUTLET OPENING WIDTH "A"		FLANGE* WIDTH "B"		MOTOR HORSEPOWER
			IN	MM	IN	MM	
3-ROW	MRF-103-QC	MRF-103-SC	11.0	249.4	15.5	393.7	1
4-ROW	MRF-104-QC	MRF-104-SC	14.5	368.3	19.0	482.6	1
5-ROW	MRF-105-QC	MRF-105-SC	18.0	457.2	22.5	571.2	1
6-ROW	MRF-106-QC	MRF-106-SC	21.5	546.1	26.0	660.4	1
7-ROW	MRF-107-QC	MRF-107-SC	25.0	635.0	29.5	749.3	1
8-ROW	MRF-108-QC	MRF-108-SC	28.5	723.9	33.0	838.2	1
9-ROW	MRF-109-QC	MRF-109-SC	32.0	812.8	36.5	927.1	1
10-ROW	MRF-110-QC	MRF-110-SC	35.5	901.7	40.0	1016.0	1
11-ROW	MRF-111-QC	MRF-111-SC	39.0	990.6	43.5	1104.9	1
12-ROW	MRF-112-QC	MRF-112-SC	42.5	1079.5	47.0	1193.8	1
14-ROW	MRF-114-QC	MRF-114-SC	49.5	1257.3	54.5	1371.6	1
17-ROW	MRF-117-QC	MRF-117-SC	60.0	1524	64.5	1638.3	1

\*Flanges can be built as required to match existing mill.

## MRF Selectable Options

### Magnet Cleaning Method:

- Quick-clean roller guide system (standard)
- Self-clean pneumatic system with safety cage

### Magnet [reference datasheet PM]:

- 400 Series Ceramic (standard)
- Rare earth 200 series
- Hi-G hybrid rare earth 400 series

### Drive Package:

- US Manufactured TEFC (standard)
  - Input: 230-480V / 3P / 60Hz
- US Manufactured TEXP (Explosion Proof)
- Inverter duty drive

### Miscellaneous:

- Limit switches for closed confirmation
  - MPI standard Honeywell complete with mounting bracket
  - Custom switch brand and mounting locations available
- Zero speed switches
- Lifting lugs
- Custom flange bolt hole pattern
- Companion flanges
  - Matching flanges for matching bolt pattern in inlet and outlet
  - Customer to weld onto existing equipment

\*Specifications subject to change

Series MRF Version 3.0 © MPI

**MPI**

683 Town Center Drive, Highland, MI 48356 | p. 800.544.5930 | f. 248.887.6100  
info@mpimagnet.com | www.mpimagnet.com