



# Stack Tracker Sheet Separator

Series: STSS

SAFETY VERSION SHOWN



DAMPENING DEVICE PREVENTS QUICK MOVEMENT WHEN ATTACHING TO SHEET



## Application

The safest manually operated Sheet Separator on the market, these units properly separate sheets while eliminating pinch points during operation. The Stack Tracker significantly increases uptime by eliminating the possibility of double sheets when handling oily, sticky or pre-finished blanks in automated stamping, forming and shearing operations. Also available in a safety version that has an on/off switch to eliminate unintended operation.

## Operation

Simply slide the housing over the pin and attach the Stack Tracker to the side of the stack of blanks, near the top. As blanks are removed, the Stack Tracker will work its way to the bottom of the stack, fanning individual blanks as it moves.

## Standard Features

- Powerful rare earth magnet material
- 100% stainless steel housing
- Dual handle safety feature
- Lightweight, rugged design
- Automatic adjustment as stack decreases
- Safety cover around moving parts to eliminate pinched fingers

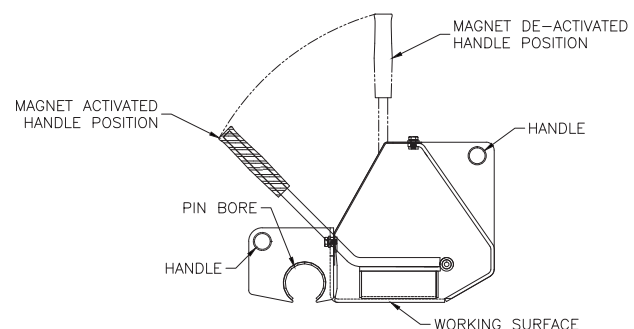
## Options

- Special mounting available
- Replaceable wear strips
- Safety on/off switch

## STSS Selection Guide

MODEL NUMBER	Width (in.)	Height (in.)	Pallet Pin Diameter (in.)	Offset (in.)
STSS-0505-1.50-2.0-REN	-	5	1.50	2.0
<b>STSS-SAFETY-1.50-2.0-REN</b>	<b>5</b>	<b>5</b>	<b>1.50</b>	<b>2.0</b>
STSS-0505-1.50-FL-REN	5	5	1.50	FLUSH
<b>STSS-SAFETY-1.50-FL-REN</b>	<b>5</b>	<b>5</b>	<b>1.50</b>	<b>FLUSH</b>
STSS-0505-1.75-2.0-REN	5	5	1.75	2.0
<b>STSS-SAFETY-1.75-2.0-REN</b>	<b>5</b>	<b>5</b>	<b>1.75</b>	<b>2.0</b>
STSS-0505-1.75-FL-REN	5	5	1.75	FLUSH
<b>STSS-SAFETY-1.75-FL-REN</b>	<b>5</b>	<b>5</b>	<b>1.75</b>	<b>FLUSH</b>
STSS-0505-1.95-2.0-REN	5	5	1.95	2.0
<b>STSS-SAFETY-1.95-2.0-REN</b>	<b>5</b>	<b>5</b>	<b>1.95</b>	<b>2.0</b>
STSS-0505-1.95-FL-REN	5	5	1.95	FLUSH
<b>STSS-SAFETY-1.95-FL-REN</b>	<b>5</b>	<b>5</b>	<b>1.95</b>	<b>FLUSH</b>

\*Specifications subject to change



Series STSS Version 2.0 © MPI

**MPI**

683 Town Center Drive, Highland, MI 48356 | p. 800.544.5930 | f. 248.887.6100  
 info@mpimagnet.com | www.mpimagnet.com