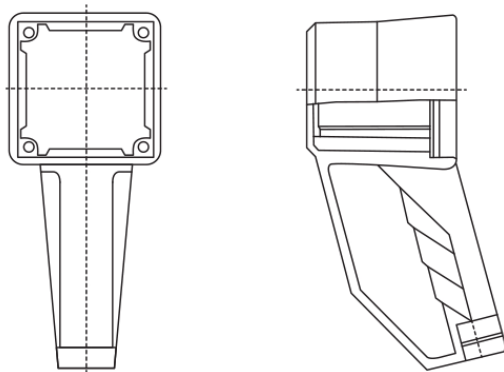




Magnetic Products, Inc.
Highland, Michigan | mpimagnet.com

Handheld Demagnetizer



Some materials retain residual magnetism if exposed to magnetic fields. The amount depends on the workpiece size and the type of material. To remove this undesirable residual magnetism, the object must be exposed to an alternating magnetic field, which eliminates the magnetism to the lowest possible value.

Magnetized workpieces cross the electrical plane, exposing the workpiece to an opposite magnetic field and creating an irregular magnetic field. By slow movement across the top plate and away, the unwanted residual magnetism is effectively removed from the object.

The MPI Handheld Demagnetizer reaches where table or tunnel demagnetizers cannot reach. Handheld demagnetizers are ideal for mobile demagnetization of large or complex components, such as molds, bearings, and various machine and mechanical parts, etc. It is an efficient tool where quick and mobile demagnetization is needed.

- 1 Compact dimensions and mobility
- 2 High demagnetization power
- 3 Lightweight plastic structure with a large handle
- 4 Push button for simple operation overheating protection
- 5 110 VAC 10 ft power supply cable with plug

Recommended duty cycle 20 %, maximum operating time 10 min.

ElectroPermanent Magnetic Technology

Depth of demagnetization field up to 1.57"

Two styles depending upon thickness and dimension of workpiece to be demagnetized

One (1) year warranty

Manufactured in Europe to the highest quality standards

Part Number	Description	Length (IN)	Width (IN)	Height (IN)	Depth of Magnetic Field (IN)	Voltage	Weight (LBS)
HHDM-HD1	Handheld Demagnetizer	7.9	4.1	3.3	max. 0.79	110	4.20
HHDM-HD2	Handheld Demagnetizer	8.5	6.3	3.3	max. 1.57	110	4.85

Specifications subject to change