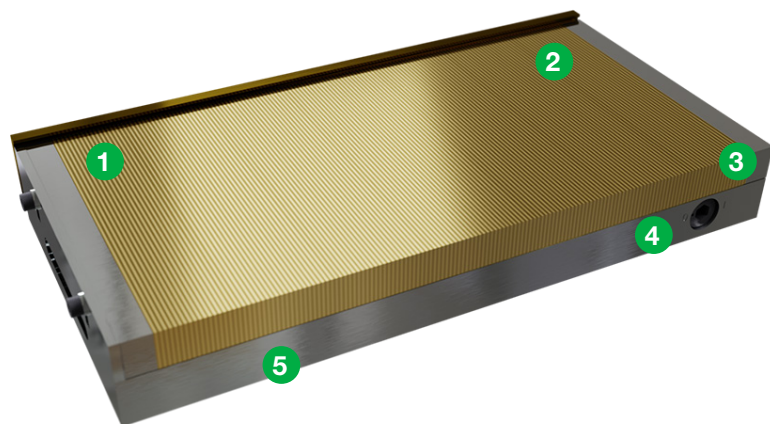




Magnetic Products, Inc.
Highland, Michigan | mpimagnet.com

Rare Earth Surface Grinder Chuck



- 1 Clamps even the thinnest parts
- 2 High stability and chuck accuracy during surface grinding
- 3 Durable switching mechanism
- 4 Solid and waterproof design
- 5 Long life span due to the fixed top plate, which can be reground many times. Easy operation with low maintenance.

One (1) year warranty for the magnetic system

Manufactured in Europe to the highest quality standards

Included with Each Magnet: Set of Clamps, Allen Key, Rear and Side Stop Blocks, and instructions for use

Application: Grinding

Use: Precise Surface Grinding of small and thin, as well as large parts. Also suitable for electrical discharge machining (EDM).

Technology: Permanent

Chuck dimensions: from 4x7in

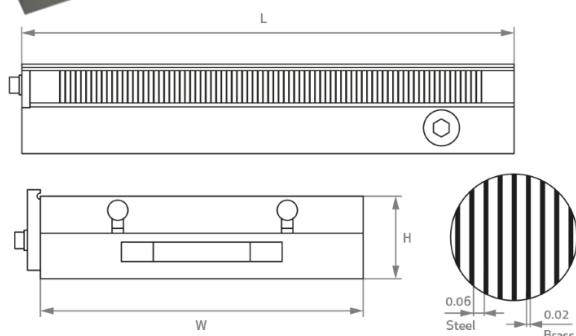
Holding Force: 100 N/cm² / 145lbs/cm²

Minimum workpiece size: 0.2x0.2x0.04in

Regrinding limit: 7mm / .275"

Pole pitch: T1.9mm - 1.4+0.5mm / T0.074" - 0.055"+0.019"
(steel/brass)

Poles: Transverse



Part Number	Description	Width (IN)	Length (IN)	Height (IN)	Weight (LBS)
SGC-70140-REN	3" x 6" Rare Earth Surface Grinder Chuck	3	6	2	13.0
SGC-100175-REN	4" x 7" Rare Earth Surface Grinder Chuck	4	7	2	15.4
SGC-100200-REN	4" x 8" Rare Earth Surface Grinder Chuck	4	8	2	17.6
SGC-100250-REN	4" x 10" Rare Earth Surface Grinder Chuck	4	10	2	22.1
SGC-130255-REN	5" x 10" Rare Earth Surface Grinder Chuck	5	10	2	28.7
SGC-150150-REN	6" x 6" Rare Earth Surface Grinder Chuck	6	6	2	21.0
SGC-150250-REN	6" x 10" Rare Earth Surface Grinder Chuck	6	10	2	33.1
SGC-150300-REN	6" x 12" Rare Earth Surface Grinder Chuck	6	12	2	39.7
SGC-150350-REN	6" x 14" Rare Earth Surface Grinder Chuck	6	14	2	48.5
SGC-150400-REN	6" x 16" Rare Earth Surface Grinder Chuck	6	16	2	55.1
SGC-150450-REN	6" x 18" Rare Earth Surface Grinder Chuck	6	18	2	61.7
SGC-200400-REN	8" x 16" Rare Earth Surface Grinder Chuck	8	16	2	77.2
SGC-200450-REN	8" x 18" Rare Earth Surface Grinder Chuck	8	18	2	81.6
SGC-200500-REN	8" x 20" Rare Earth Surface Grinder Chuck	8	20	2	90.4
SGC-200600-REN	8" x 24" Rare Earth Surface Grinder Chuck	8	24	2	108.0
SGC-250500-REN	10" x 20" Rare Earth Surface Grinder Chuck	10	20	2.2	126.0
SGC-300500-REN	12" x 20" Rare Earth Surface Grinder Chuck	12	20	2.2	148.0
SGC-300600-REN	12" x 24" Rare Earth Surface Grinder Chuck	12	24	2.2	179.0

Specifications subject to change